

# CD/DVD Player

Reference Guide\_\_\_\_\_ GB

دليل المرجع\_\_\_\_\_ AR

راهنمای مرجع\_\_\_\_\_ PR

## DVP-SR760HP



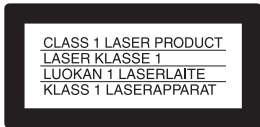
# WARNING

To reduce the risk of fire or electric shock, do not expose this apparatus to rain or moisture.

To avoid electrical shock, do not open the cabinet. Refer servicing to qualified personnel only.

The mains lead must be changed only at a qualified service shop.

Batteries or batteries installed apparatus shall not be exposed to excessive heat such as sunshine, fire or the like.



This appliance is classified as a CLASS 1 LASER product. The CLASS 1 LASER PRODUCT MARKING is located on the rear exterior.

## CAUTION

The use of optical instruments with this product will increase eye hazard. As the laser beam used in this CD/DVD player is harmful to eyes, do not attempt to disassemble the cabinet.

Refer servicing to qualified personnel only.

## Precautions

- To prevent fire or shock hazard, do not place objects filled with liquids, such as vases, on the apparatus.
- The player is not disconnected from the AC power source (mains) as long as it is connected to the wall outlet, even if the player itself has been turned off.
- Do not install this player in a confined space, such as a bookshelf or similar unit.
- Install the player so that the AC power cord (mains lead) can be unplugged from the wall socket immediately in the event of trouble.
- If the player is brought directly from a cold to a warm location, or is placed in a very damp room, moisture may condense on the lenses inside the player. Should

this occur, the player may not operate properly. In this case, remove the disc and leave the player turned on for about half an hour until the moisture evaporates.

## Lightning

For added protection for this set during a lightning storm, or when it is left unattended and unused for long periods of time, unplug it from the wall outlet. This will prevent damage to the set due to lightning and power-line surges.


## Note about the discs

Do not use the following discs:

- A disc that has a non-standard shape (e.g., card, heart).
- A disc with a label or sticker on it.

## Region code

Your player has a region code printed on the back of the unit and only will play commercial DVDs (playback only) labelled with identical region codes. This system is used to protect copyrights.

Commercial DVDs labelled  will also play on this player.

Depending on the commercial DVD, there may be no region code indication, even though playing the commercial DVD is prohibited by area restrictions.



Region code

## Copyrights, trademarks and software licence information

- Manufactured under license from Dolby Laboratories. Dolby and the double-D symbol are trademarks of Dolby Laboratories.
- “DVD Logo” is a trademark of DVD Format/Logo Licensing Corporation.
- MPEG Layer-3 audio coding technology and patents licensed from Fraunhofer IIS and Thomson.
- Windows Media is either a registered trademark or trademark of Microsoft Corporation in the United States and/or other countries. This product contains technology subject to certain intellectual property rights of

Microsoft.

Use or distribution of this technology outside of this product is prohibited without the appropriate license(s) from Microsoft.

- This DVD player incorporates High-Definition Multimedia Interface (HDMI™) technology. HDMI, the HDMI Logo, and High-Definition Multimedia Interface are trademarks or registered trademarks of HDMI Licensing LLC in the United States and other countries.
- All other trademarks are trademarks of their respective owners.
- THIS PRODUCT IS LICENSED UNDER THE MPEG-4 VISUAL PATENT PORTFOLIO LICENSE FOR THE PERSONAL AND NONCOMMERCIAL USE OF A CONSUMER FOR DECODING VIDEO IN COMPLIANCE WITH THE MPEG-4 VISUAL STANDARD (“MPEG-4 VIDEO”) THAT WAS ENCODED BY A CONSUMER ENGAGED IN A PERSONAL AND NONCOMMERCIAL ACTIVITY AND/OR WAS OBTAINED FROM A VIDEO PROVIDER LICENSED BY MPEG LA TO PROVIDE MPEG-4 VIDEO. NO LICENSE IS GRANTED OR SHALL BE IMPLIED FOR ANY OTHER USE. ADDITIONAL INFORMATION INCLUDING THAT RELATING TO PROMOTIONAL, INTERNAL AND COMMERCIAL USES AND LICENSING MAY BE OBTAINED FROM MPEG LA, LLC. SEE [HTTP://WWW.MPEGLA.COM](http://www.mpegla.com)**

## About this manual

“DVD” may be used as a general term for commercial DVDs, DVD+RWs/DVD+Rs/DVD+R DLs (+VR mode) and DVD-RWs/DVD-Rs/DVD-R DLs (VR mode, video mode).

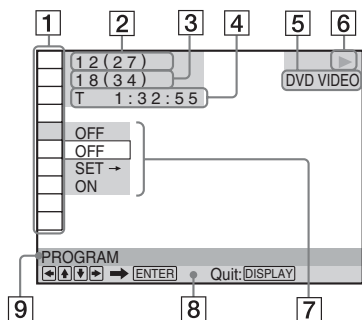
# Playback

## Control Menu display

Use the Control Menu to select a function and to view related information.

### Press DISPLAY.

To change the Control Menu display, press DISPLAY again.



- 1 Control Menu items
- 2 Currently playing title/Total number of titles
- 3 Currently playing chapter/Total number of chapters
- 4 Playing time
- 5 Selected media type
- 6 Playback status
- 7 Selected item icon/menu options
- 8 Operation message
- 9 Selected Control Menu item

## Menu list

Item	Item Name, Function
	TITLE/SCENE/TRACK
	CHAPTER/INDEX
	TRACK

Selects the title, scene, track, chapter, or index to be played.

## TIME/TEXT

Checks the elapsed time and the remaining playback time.  
Input the time code for picture and music search (DVD and Xvid video files only).

## DISC/USB

Selects either "USB" or "DISC" to be played.

## TOP MENU/MENU

(DVD VIDEO only)  
**TOP MENU:** Displays the top menu.  
**MENU:** Displays the menu.

## ORIGINAL/PLAY LIST

Selects the type of title (DVD-VR mode) to be played: ORIGINAL, or edited PLAY LIST.

## PROGRAM\*<sup>1</sup>, \*<sup>2</sup>

Selects the title, chapter, or track to play in the order you want.

- 1 Select "SET →," then press ENTER and select the title (T), chapter (C), or track (T) you want to programme, and press ENTER.
- 2 Repeat selecting the title, chapter, or track.
- 3 Press .

## SHUFFLE\*<sup>1</sup>, \*<sup>2</sup>

Plays the title, chapter, or track in random order.

## REPEAT\*<sup>1</sup>, \*<sup>2</sup>

Plays all titles/tracks/albums or a single title/chapter/track/album/file repeatedly.

## A-B REPEAT\*<sup>1</sup>, \*<sup>2</sup>

Specifies the parts you want to play repeatedly.

- 1 During playback, select "SET →," then press ENTER.  
The "A-B REPEAT" setting bar appears.
- 2 When you find the starting point (point A), press ENTER.
- 3 When you reach the ending point (point B), press ENTER again.

## PARENTAL CONTROL

Set to prohibit playback on this player.  
**PLAYER →:** Playback of some DVD VIDEOS can be limited according to a predetermined level such as the age of the users. Scenes may be blocked or replaced with different scenes (Parental Control).  
**PASSWORD →:** Enter a 4-digit password using the number buttons. Also use this menu to change the password.

## Parental Control (limited playback)

You can set a playback limitation level.

- 1 Select "PLAYER →," then press ENTER.  
Enter or re-enter your 4-digit password, then press ENTER.
- 2 Press ↑/↓ to select "STANDARD," then press ENTER.  
Press ↑/↓ to select an area, then press ENTER.  
When you select "OTHERS →," select and enter a standard code. See "PARENTAL CONTROL AREA CODE LIST" at the end of this manual.
- 3 Press ↑/↓ to select "LEVEL," then press ENTER.  
Press ↑/↓ to select the level, then press ENTER.  
Parental Control setting is complete.  
The lower the value, the stricter the limitation.  
To turn off the Parental Control function, set "LEVEL" to "OFF."

If you forget your password, enter "199703" in the password box, press ENTER, and then enter a new 4-digit password.

## SETUP

**QUICK:** Use Quick Setup to choose the desired language of the on-screen display, the aspect ratio of the TV and the audio output signal.

**CUSTOM:** In addition to the Quick Setup setting, you can adjust various other settings (page 6).

**RESET:** Returns the settings in "SETUP" to the default setting.

## ZOOM\*<sup>1</sup>

Magnifies the image up to four times the original size, scroll using ←/↑/↓/→.

## ANGLE

Changes the angle.

## CUSTOM PICTURE MODE

Selects the picture quality that best suits the programme you are watching.

**STANDARD:** Displays a standard picture.

**DYNAMIC:** Produces a bold dynamic picture by increasing the picture contrast and the colour intensity.

**CINEMA:** Enhances details in dark areas by increasing the black level.

**MEMORY →:** Adjusts the picture in greater detail.

## SHARPNESS

Exaggerates the outline of the image to produce a sharper picture.

**OFF:** Cancels this option.

1: Enhances the outline.

2: Enhances the outline more than 1.

## AV SYNC

Adjust the delay between the picture and sound. This function is not effective when:

- you use the DIGITAL OUT (COAXIAL) jack, and set "DOLBY DIGITAL," "MPEG," or "DTS" in "AUDIO SETUP" to "DOLBY DIGITAL," "MPEG," or "ON" respectively (page 7).
- you connect a Dolby Digital or DTS-compliant device via the HDMI OUT jack, and set "DOLBY DIGITAL," "MPEG," or "DTS" in "AUDIO SETUP" to "DOLBY DIGITAL," "MPEG," or "ON" respectively (page 7).

1 Select "SET →," then press ENTER.

The "AV SYNC" adjustment bar appears.

2 Press → repeatedly to adjust the delay.

Each time you press ←/→, the delay is adjusted by 10 milliseconds.

3 Press ENTER.

The selected setting takes effect.

To reset the "AV SYNC" setting, press CLEAR in step 2.

\*<sup>1</sup> To return to normal play, select "OFF" or press CLEAR.

\*<sup>2</sup> The play mode is cancelled when:

- you open the disc tray.
- you turn off the player.

## ◆Items for DATA files

Item	Item Name, Function
------	---------------------

	<b>ALBUM</b>
-------------------------------------------------------------------------------------	--------------

Selects the album that contains music and photo files to be played.

	<b>FILE</b>
-------------------------------------------------------------------------------------	-------------

Selects the photo file to be played.

	<b>ALBUM</b>
-------------------------------------------------------------------------------------	--------------

Selects the album that contains the video file to be played.

	<b>FILE</b>
-------------------------------------------------------------------------------------	-------------

Selects the video file to be played.

---

## DATE

Displays the date the picture was taken by a digital camera.

---

## INTERVAL\*

Specifies the duration for which the slides are displayed on the screen.

---

## EFFECT\*

Selects the effects to be used for changing slides during a slide show.

**MODE 1:** The images randomly cycle through the effects.

**MODE 2:** The image sweeps in from top left to bottom right.

**MODE 3:** The image sweeps in from top to bottom.

**MODE 4:** The image sweeps in from left to right.

**MODE 5:** The image stretches out from the centre of the screen.

**OFF:** Turns off this function.

---

## MEDIA

Selects the media type you want to play.

**VIDEO:** Plays video files.

**PHOTO (MUSIC):** Plays photo and music files as a slide show. You can view a slide show with sound when music and photo files are placed in the same album. If the playing time of either music or photos is longer, the longer one continues without sound or image.

**PHOTO (BGM):** Plays photo files with the player's internal background sound. To choose the melody of the background sound, press **AUDIO** repeatedly while viewing the image.

**MUSIC:** Plays music files. Press **SUBTITLE** while playing music files that contain unsynchronized lyric information. The player supports MP3 ID3 Lyrics only.

\* Depending on the file, this function may not be possible.

---

## To change the colour system

If the on-screen menu of the player does not appear on the connected TV, switch the player's colour system to match the colour system of the TV (NTSC or PAL).

First turn off the player by pressing **I/⏏**. Next press **DISPLAY**, enter "0" using the number button, and then press **I/⏏** on the remote. The player turns back on, and the name of the colour system will appear on the front panel display.

---

## To play VIDEO CDs with PBC functions

When you start playing a VIDEO CD with PBC (Playback control) functions, the menu for your selection appears.

### To play without using PBC

Press **◀◀/▶▶** or the number buttons while the player is stopped to select a track, then press **▶** or **ENTER**. To return to PBC playback, press **■** twice, then press **▶**.

---

## Controlling TVs with the remote

You can control the sound level, input source, and power switch of your Sony TV with the supplied remote.

If your TV is listed in the table below, set the appropriate manufacturer's code.

When you replace the batteries of the remote, set the appropriate code number again.

- 1 While holding down TV **I/⏏**, press the number buttons to select your TV's manufacturer's code.
- 2 Release TV **I/⏏**.

### Code numbers of controllable TVs

Sony	01 (default)
Hitachi	24
JVC	33
LG/Goldstar	76
Panasonic	17, 49
Philips	06, 08, 72
Samsung	71
Sharp	29
Toshiba	38

---

## Viewing a high quality slide show (PhotoTV HD)

If you have a Sony TV that is compatible with "PhotoTV HD," you can enjoy the best quality images. "PhotoTV HD" is activated when the player is connected to a TV by an HDMI cord and "JPEG RESOLUTION" in "HDMI SETUP" is set to "PhotoTV HD" (page 7).

## Connecting a USB device

You can connect a USB device to the USB jack of the player to play video, photo, or music files.

### To remove the USB device

Stop playback and disconnect the USB device from the USB jack.

### To change LUN

For some devices, LUN (Logical Unit Number) may appear. To change the LUN or original storage, press **III▶ ●→** when the list of albums or tracks is displayed.

### About supported USB devices

- This player supports USB Mass Storage Class only.
- This player supports FAT format USB device only.
- Some USB devices may not work with this player.

## CUSTOM Menu

You can adjust various settings. Press **DISPLAY** when the player is in stop mode, select **SETUP** (SETUP), and then select "CUSTOM." The CUSTOM menu appears.

### Menu list

Item	Item Name, Function
------	---------------------

<b>A</b> 	<b>LANGUAGE SETUP</b>
--------------------------------------------------------------------------------------------	-----------------------

**OSD (On-Screen Display):** Switches the display language on the screen.

**MENU\*<sup>1</sup>:** Selects the desired language for the disc's menu. (DVD VIDEO only)

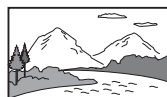
**AUDIO\*<sup>1</sup>:** Switches the language of the sound track. When you select "ORIGINAL," the language given priority in the disc is selected. (DVD VIDEO only)

**SUBTITLE\*<sup>1</sup>:** Switches the language of the subtitle recorded on the DVD VIDEO. When you select "AUDIO FOLLOW," the language for the subtitles changes according to the language you selected for the sound track. (DVD VIDEO only)

<b>P</b> 	<b>SCREEN SETUP</b>
--------------------------------------------------------------------------------------------	---------------------

**TV TYPE:** Selects the aspect ratio of the connected TV.

16:9



4:3 LETTER BOX



4:3 PAN SCAN



**COLOR SYSTEM (VIDEO CD):** Selects the colour system when you play a VIDEO CD. If your TV is the DUAL system, select "AUTO."

**SCREEN SAVER:** When set to "ON," the screen saver appears when the player is in pause or stop mode for 15 minutes. Press **▶** to turn off the screen saver.

**BACKGROUND:** Selects the background colour or picture on the TV screen. If you set "JACKET PICTURE," even though the disc does not contain a jacket picture, the "GRAPHICS" picture appears.

**MODE (PROGRESSIVE):** If you select "AUTO," the player detects the format (film-based or video-based), and converts to the appropriate version.

**4:3 OUTPUT:** This setting is effective only when you set "TV TYPE" to "16:9." Select "FULL" when you can change the aspect ratio on your TV.



## CUSTOM SETUP

**AUTO STANDBY:** Sets the Auto Standby setting on or off. If you select "ON," the player enters standby mode when left in stop mode for more than 30 minutes.

**AUTO PLAY:** When set to "ON," the player automatically starts playback when the player is turned on by a timer (not supplied).

**PAUSE MODE:** Selects the picture in pause mode. Normally select "AUTO." When the picture is output in high resolution, set to "FRAME." (DVD only)

**TRACK SELECTION:** Gives the sound track which contains the highest number of channels priority when you play a DVD VIDEO on which multiple audio formats (PCM, MPEG audio, DTS, or Dolby Digital format) are recorded. If you select "AUTO," priority is given. (DVD VIDEO only)

**IMAGE QUALITY:** Selects the priority display to either high quality image or quick speed. (Photo files only)

**MULTI-DISC RESUME:** Switches the Multi-disc Resume setting on or off. Resume playback can be stored in memory for up to 6 different DVD VIDEOS/VIDEO CDs. If you start the settings again, the resume point is cleared. (DVD VIDEO/VIDEO CD only)



## AUDIO SETUP

**AUDIO DRC (Dynamic Range Control)\*<sup>2</sup>:** Set according to the surrounding environment. Set to "TV MODE" when the smallest sounds are indiscernible, or set to "WIDE RANGE" when the listening environment is good, for example, in a home movie theatre.

**DOWNMIX\*<sup>2</sup>:** Switches the method for mixing down to 2 channels when you play a DVD which has rear sound elements (channels), or is recorded in Dolby Digital format. Normally select "DOLBY SURROUND."

**DIGITAL OUT:** Selects if audio signals are output via the DIGITAL OUT (COAXIAL)/HDMI OUT jack. When you select "ON," set also the following "DOLBY DIGITAL," "MPEG," "DTS," or "48kHz/96kHz PCM."

**DOLBY DIGITAL:** Selects the type of Dolby Digital signal. Set to "D-PCM" when the player is connected to an audio component without a built-in Dolby Digital decoder.

**MPEG:** Selects the type of MPEG audio signal. Set to "MPEG" when the player is connected to an audio component with a built-in MPEG decoder.

**DTS:** Selects the type of DTS audio signal. Set to "ON" when you play a DVD VIDEO with DTS sound tracks. Do not set to "ON" when you connect the player to an audio component without a DTS decoder.

**48kHz/96kHz PCM:** Selects the sampling frequency of the digital audio output signal. (DVD VIDEO only)



## HDMI SETUP

You can adjust items related to HDMI connection.

**HDMI RESOLUTION\*<sup>3</sup>:** Selects the type of video signal output from the HDMI OUT jack. If "AUTO (1920×1080p)" (default) is selected, the player outputs video signals of the highest resolution acceptable for your TV. If the picture is not clear, unnatural or otherwise not to your satisfaction, try another option that suits the disc, TV/projector, etc. For details, refer also to the instruction manual supplied with the TV/projector, etc.

You cannot select this when "JPEG RESOLUTION" is set to "PhotoTV HD."

**JPEG RESOLUTION:** Selects the type of JPEG resolution so that you can enjoy a high picture quality via HDMI connection. This setting is effective only when you set "TV TYPE" to "16:9." You cannot select this when "HDMI RESOLUTION" is set to "720×480/576p." "(1920×1080i) HD " and "(1920×1080i) HD" are effective only when you set "HDMI RESOLUTION" to "1920×1080i." If you set this setting to "PhotoTV HD," "(1920×1080i) HD " or "(1920×1080i) HD," the effect, rotation, and zoom functions are not available.

**YCbCr/RGB (HDMI):** Selects the type of HDMI signal output from the HDMI OUT jack. Set to "RGB" if the playback picture is distorted. You cannot select this when "JPEG RESOLUTION" is set to "PhotoTV HD."

**AUDIO (HDMI):** Selects the type of audio signal output from the HDMI OUT jack. Set to "PCM" if you connect the player to a TV that is not compatible with DOLBY DIGITAL/DTS/MPEG signals.

- \*<sup>1</sup> When you select "OTHERS →," select and enter a language code. See "LANGUAGE CODE LIST" at the end of this manual.
- \*<sup>2</sup> This function affects the output from the following jacks:
  - LINE OUT L/R (AUDIO) jacks.
  - DIGITAL OUT (COAXIAL)/HDMI OUT jack only when "DOLBY DIGITAL" is set to "D-PCM."
- \*<sup>3</sup> If the picture does not appear normally or goes blank, reset the setting. Press **I/⏻** to turn off, enter "369," and then press **I/⏻** to turn on the player again.

---

## Information

---

### Troubleshooting

If you experience any of the following difficulties while using the player, use this troubleshooting guide to help remedy the problem before requesting repairs. Should any problem persist, consult your nearest Sony dealer.

---

#### The power is not turned on.

- Check that the power cord (mains lead) is connected securely.

---

#### There is no picture/picture noise appears.

- Re-connect the connecting cord securely.
- The connecting cords are damaged.
- Check the connection to your TV and switch the input selector on your TV so that the signal from the player appears on the TV screen.
- Change the colour system of the player (page 5).
- The disc is dirty or flawed.
- Press **I/⏻** to turn off the player, and enter "369" using the number buttons on the remote, then press **I/⏻** to turn on the player again.

---

#### There is no sound.

- Re-connect the connecting cord securely.
- The connecting cord is damaged.
- The player is in pause mode or in Slow-motion Play mode.
- The player is in fast forward or fast reverse mode.

---

#### The remote does not function.

- The batteries in the remote are weak.
- The remote is not pointed at the remote sensor **FR** on the player.
- When you operate the player by pressing buttons on the remote in sequence, press the buttons within 5 seconds of each other.

---

#### The disc does not play.

- The disc is turned over.  
Insert the disc with the playback side facing down.
- The disc is skewed.
- The player cannot play certain discs.
- The region code on the DVD does not match the player.
- Moisture has condensed inside the player.



→ The player cannot play a recorded disc that is not correctly finalized.

---

### The player does not operate properly.

→ When static electricity, etc., causes the player to operate abnormally, unplug the player.

---

### “C:13:\*” appears on the screen.

→ Clean the disc with a cleaning cloth or check its format.

---

### There is no picture/sound when connected to the HDMI OUT jack.

→ Change the “HDMI RESOLUTION” setting in “HDMI SETUP.” The problem may be solved.

→ The equipment connected to the HDMI OUT jack does not conform to the audio signal format, in this case set “AUDIO (HDMI)” in “HDMI SETUP” to “PCM.”

→ Try the following: ① Turn the player off and on again. ② Turn the connected equipment off and on again. ③ Disconnect and then connect the HDMI cord again.

---

### The player does not detect a USB device connected to the player.

→ The USB device is not securely connected to the player.

→ The USB device or a cord is damaged.

→ Disc mode has not been switched to USB mode.

---

## Playable file format

Video: MPEG-1 (Cyber-shot data)/MPEG-4 (simple profile)\*<sup>1</sup>/Xvid

Photo: JPEG (DCF format)

Music: MP3 (except for mp3PRO)/WMA (except for WMA Pro)\*<sup>1</sup>, \*<sup>2</sup>/AAC\*<sup>1</sup>, \*<sup>2</sup>/LPCM/WAVE

\*<sup>1</sup> Files with copyright protection (Digital Right Management) cannot be played.

\*<sup>2</sup> The player does not play coded files such as Lossless.

Supported extensions: “.avi”, “.mpg”, “.mpeg”, “.mp4”, “.jpg”, “.mp3”, “.wma”, “.m4a”, “.wav”

Supported discs: DVD, DVD±RW/±R/±R DL, Music CD/Super VCD, CD-R/-RW

- DATA CDs recorded according to ISO 9660 Level 1/Level 2, or its extended format, Joliet.
- DATA DVDs recorded according to UDF.
- The player will play any file in the above, even if the file format differs. Playing such data may generate noise that can result in speaker damage.
- To play a complex hierarchy of folders may take some time. Create albums with no more than two hierarchies.
- Some video, photo, and music files may not play, depending on the encoding/recording condition.
- To start playback and proceed to the next or another album/file may take some time.
- The player will recognize a maximum of 200 albums and 600 files. It can recognize up to 300 music files and 300 photo files when “PHOTO (MUSIC)” is selected.
- The player may not play a combination of two or more video files.
- The player cannot play a video file of size more than 720 (width) × 576 (height)/2 GB.
- Depending on the file, playback may not be smooth. You are recommended to create the file at a lower bit rate.
- The player may not play back the high bit rate video file on the DATA CD smoothly. You are recommended to play back using DATA DVD.
- When playing visual data that is not supported by MPEG-4 format, only sound will be heard.

### Note about recordable media

Some recordable media cannot be played on this player due to the recording quality or physical condition of the disc, or the characteristics of the recording device and authoring software. The disc will not play if it has not been correctly finalized. Also some DATA discs created in Packet Write format cannot be played.

### For player that cannot play images that contain a copy protection only

Images in DVD-VR mode with CPRM (Content Protection for Recordable Media) protection may not be played.

### Note on playback operations of DVDs and VIDEO CDs

Some playback operations of DVDs and VIDEO CDs may be intentionally set by software producers. Since this player plays DVDs and VIDEO CDs according to the disc contents the software producers designed, some playback features may not be available. Also, refer to the operating instructions supplied with the DVDs or VIDEO CDs.

### Note on discs

This unit is designed to playback discs that conform to the Compact Disc (CD) standard. DualDiscs and some music discs encoded with copyright protection technologies do not conform to the Compact Disc (CD) standard. Therefore, these discs may not be compatible with this unit.

---

## Specifications

### System

Laser: Semiconductor laser

### Inputs/Outputs

- LINE OUT L/R (AUDIO): Phono jack
- DIGITAL OUT (COAXIAL): Phono jack
- LINE OUT (VIDEO): Phono jack
- HDMI OUT: HDMI 19 pin-Standard Connector
- USB: USB jack Type A, maximum current 500 mA (For connecting USB device)

### General

- Power requirements: 110-240 V AC, 50/60 Hz
- Power consumption: 10 W
- Dimensions (approx.): 270 × 38.5 × 209 mm (width/height/depth) incl. projecting parts
- Mass (approx.): 950 g
- Operating temperature: 5 °C to 35 °C
- Operating humidity: 25% to 80%

### Supplied accessories

- Remote commander (remote) (1)
- R6 (size AA) batteries (2)
- HDMI cord (1)

Specifications and design are subject to change without notice.

# LANGUAGE CODE LIST

📄 page 6

Code Language	Code Language	Code Language	Code Language
1027 Afar	1183 Irish	1347 Maori	1507 Samoan
1028 Abkhazian	1186 Scots Gaelic	1349 Macedonian	1508 Shona
1032 Afrikaans	1194 Galician	1350 Malayalam	1509 Somali
1039 Amharic	1196 Guarani	1352 Mongolian	1511 Albanian
1044 Arabic	1203 Gujarati	1353 Moldavian	1512 Serbian
1045 Assamese	1209 Hausa	1356 Marathi	1513 Siswati
1051 Aymara	1217 Hindi	1357 Malay	1514 Sesotho
1052 Azerbaijani	1226 Croatian	1358 Maltese	1515 Sundanese
1053 Bashkir	1229 Hungarian	1363 Burmese	1516 Swedish
1057 Byelorussian	1233 Armenian	1365 Nauru	1517 Swahili
1059 Bulgarian	1235 Interlingua	1369 Nepali	1521 Tamil
1060 Bihari	1239 Interlingue	1376 Dutch	1525 Telugu
1061 Bislama	1245 Inupiak	1379 Norwegian	1527 Tajik
1066 Bengali;	1248 Indonesian	1393 Occitan	1528 Thai
Bangla	1253 Icelandic	1403 (Afan)Oromo	1529 Tigrinya
1067 Tibetan	1254 Italian	1408 Oriya	1531 Turkmen
1070 Breton	1257 Hebrew	1417 Punjabi	1532 Tagalog
1079 Catalan	1261 Japanese	1428 Polish	1534 Setswana
1093 Corsican	1269 Yiddish	1435 Pashto;	1535 Tonga
1097 Czech	1283 Javanese	Pushto	1538 Turkish
1103 Welsh	1287 Georgian	1436 Portuguese	1539 Tsonga
1105 Danish	1297 Kazakh	1463 Quechua	1540 Tatar
1109 German	1298 Greenlandic	1481 Rhaeto-	1543 Twi
1130 Bhutani	1299 Cambodian	Romance	1557 Ukrainian
1142 Greek	1300 Kannada	1482 Kirundi	1564 Urdu
1144 English	1301 Korean	1483 Romanian	1572 Uzbek
1145 Esperanto	1305 Kashmiri	1489 Russian	1581 Vietnamese
1149 Spanish	1307 Kurdish	1491 Kinyarwanda	1587 Volapük
1150 Estonian	1311 Kirghiz	1495 Sanskrit	1613 Wolof
1151 Basque	1313 Latin	1498 Sindhi	1632 Xhosa
1157 Persian	1326 Lingala	1501 Sangho	1665 Yoruba
1165 Finnish	1327 Laothian	1502 Serbo-	1684 Chinese
1166 Fiji	1332 Lithuanian	Croatian	1697 Zulu
1171 Faroese	1334 Latvian;	1503 Singhalese	
1174 French	Lettish	1505 Slovak	
1181 Frisian	1345 Malagasy	1506 Slovenian	1703 Not specified

ISO 639: 1988 (E/F) standard

# PARENTAL CONTROL AREA CODE LIST

📄 page 3

Code Area	Code Area	Code Area	Code Area
2044 Argentina	2165 Finland	2362 Mexico	2149 Spain
2047 Australia	2174 France	2376 Netherlands	2499 Sweden
2046 Austria	2109 Germany	2390 New Zealand	2086 Switzerland
2057 Belgium	2248 India	2379 Norway	2528 Thailand
2070 Brazil	2238 Indonesia	2427 Pakistan	2184 United Kingdom
2079 Canada	2254 Italy	2424 Philippines	
2090 Chile	2276 Japan	2436 Portugal	
2092 China	2304 Korea	2489 Russia	
2115 Denmark	2363 Malaysia	2501 Singapore	

کد زبان	کد زبان	کد زبان	کد زبان
Samoan 1507	Maori 1347	Irish 1183	Afar 1027
Shona 1508	Macedonian 1349	Scots Gaelic 1186	Abkhazian 1028
Somali 1509	Malayalam 1350	Galician 1194	Afrikaans 1032
Albanian 1511	Mongolian 1352	Guarani 1196	Amharic 1039
Serbian 1512	Moldavian 1353	Gujarati 1203	Arabic 1044
Siswati 1513	Marathi 1356	Hausa 1209	Assamese 1045
Sesotho 1514	Malay 1357	Hindi 1217	Aymara 1051
Sundanese 1515	Maltese 1358	Croatian 1226	Azerbaijani 1052
Swedish 1516	Burmese 1363	Hungarian 1229	Bashkir 1053
Swahili 1517	Nauru 1365	Armenian 1233	Byelorussian 1057
Tamil 1521	Nepali 1369	Interlingua 1235	Bulgarian 1059
Telugu 1525	Dutch 1376	Interlingue 1239	Bihari 1060
Tajik 1527	Norwegian 1379	Inupiak 1245	Bislama 1061
Thai 1528	Occitan 1393	Indonesian 1248	Bengali; 1066
Tigrinya 1529	(Afan)Oromo 1403	Icelandic 1253	Bangla
Turkmen 1531	Oriya 1408	Italian 1254	Tibetan 1067
Tagalog 1532	Punjabi 1417	Hebrew 1257	Breton 1070
Setswana 1534	Polish 1428	Japanese 1261	Catalan 1079
Tonga 1535	;Pashto 1435	Yiddish 1269	Corsican 1093
Turkish 1538	Pushto	Javanese 1283	Czech 1097
Tsonga 1539	Portuguese 1436	Georgian 1287	Welsh 1103
Tatar 1540	Quechua 1463	Kazakh 1297	Danish 1105
Twi 1543	-Rhaeto 1481	Greenlandic 1298	German 1109
Ukrainian 1557	Romance	Cambodian 1299	Bhutani 1130
Urdu 1564	Kirundi 1482	Kannada 1300	Greek 1142
Uzbek 1572	Romanian 1483	Korean 1301	English 1144
Vietnamese 1581	Russian 1489	Kashmiri 1305	Esperanto 1145
Volapük 1587	Kinyarwanda 1491	Kurdish 1307	Spanish 1149
Wolof 1613	Sanskrit 1495	Kirghiz 1311	Estonian 1150
Xhosa 1632	Sindhi 1498	Latin 1313	Basque 1151
Yoruba 1665	Sangho 1501	Lingala 1326	Persian 1157
Chinese 1684	-Serbo 1502	Laothian 1327	Finnish 1165
Zulu 1697	Croatian	Lithuanian 1332	Fiji 1166
	Singhalese 1503	Latvian; 1334	Faroese 1171
	Slovak 1505	Lettish	French 1174
مشخص نشده 1703	Slovenian 1506	Malagasy 1345	Frisian 1181

1988 (E/F): ISO 639

## لیست کد منطقه کنترل والدین

کد منطقه	کد منطقه	کد منطقه	کد منطقه
Spain 2149	Mexico 2362	Finland 2165	Argentina 2044
Sweden 2499	Netherlands 2376	France 2174	Australia 2047
Switzerland 2086	New Zealand 2390	Germany 2109	Austria 2046
Thailand 2528	Norway 2379	India 2248	Belgium 2057
United Kingdom 2184	Pakistan 2427	Indonesia 2238	Brazil 2070
	Philippines 2424	Italy 2254	Canada 2079
	Portugal 2436	Japan 2276	Chile 2090
	Russia 2489	Korea 2304	China 2092
	Singapore 2501	Malaysia 2363	Denmark 2115

## مشخصات

### سیستم

لیزر: لیزر نیمه رسانا

### ورودی ها/خروجی ها

- LINE OUT L/R (AUDIO): فیش تلفن
- DIGITAL OUT (COAXIAL): فیش تلفن
- LINE OUT (VIDEO): فیش تلفن
- HDMI OUT: رابط استاندارد 19 پینی HDMI
- USB: فیش USB نوع A، جریان حداکثر 500 میلی آمپر (برای اتصال دستگاه USB)

### عمومی

- ملزومات برق: 110 - 240 ولت برق متناوب، 50/60 هرتز
- مصرف انرژی: 10 وات
- ابعاد (تقریبی):  $270 \times 38.5 \times 209$  میلی متر (عرض/ارتفاع/طول) شامل قطعات بیرون زده
- جرم (تقریبی): 950 گرم
- دمای عملکرد: 5 تا 35 درجه سانتی گراد
- رطوبت عملکرد: 25% تا 80%

### لوازم جانبی ارائه شده

- فرمانده راه دور (راه دور) (1)
- باتری های R6 (سایز AA) (2)
- سیم HDMI (1)

طراحی و مشخصات ممکن است بدون اطلاع تغییر کند.

## نکاتی درباره رسانه قابل ضبط

به دلیل کیفیت ضبط یا شرایط فیزیکی دیسک یا ویژگیهای دستگاه ضبط و نرم افزار مؤلف، بعضی رسانه های قابل ضبط را نمی توان روی این پخش کننده پخش کرد. اگر دیسک درست فاینالایز نشده باشد پخش نمی شود. همچنین برخی دیسک های داده ایجاد شده در فرمت Packet Write پخش نمی شوند.

### پخش کننده هایی که فقط تصاویر دارای حفاظت در برابر کپی را پخش نمی کنند

تصاویر در حالت DVD-VR با محافظت CPRM (محافظت در برابر کپی برای رسانه قابل ضبط) پخش نمی شوند.

### نکاتی درباره عملکردهای DVD و VIDEO CD

برخی عملکردهای پخش DVD ها و VIDEO CD ها ممکن است به طور عمد توسط تولیدکنندگان نرم افزار تنظیم شود. از آنجا که این پخش کننده DVD ها و VIDEO CD ها را طبق محتوای دیسک طراحی شده توسط تولیدکنندگان نرم افزار پخش می کند، ممکن است بعضی ویژگی های پخش درد دسترس نباشد. همچنین، به دستورالعمل های ارائه شده با DVD یا VIDEO CD مراجعه کنید.

### نکاتی درباره دیسک ها

این دستگاه برای پخش دیسک های مطابق با استاندارد دیسک فشرده (CD) طراحی شده است. DualDisc ها و برخی دیسک های موسیقی کدگذاری شده با فن آوری های محافظت در برابر کپی با استاندارد دیسک فشرده (CD) مطابقت ندارند. بنابراین، ممکن است این دیسک ها با این دستگاه سازگار نباشند.

← پخش کننده می تواند دیسک ضبط شده ای که درست فاینالایز نشده را پخش کند.

پخش کننده درست کار نمی کند.

← وقتی الکتریسیته ساکن و مواردی از این قبیل مانع درست کار کردن پخش کننده می شود، پخش کننده را از برق بکشید.

\*\*\*C:13 در نمایشگر ظاهر می شود.

← دیسک را با دستمال تمیز کنید یا فرمت آن را بررسی کنید.

وقتی به فیش **HDMI OUT** وصل است هیچ تصویر یا صدایی ندارد.

← تنظیمات **HDMI** وضوح تصویر" را در **"HDMI** تنظیم" تغییر دهید. ممکن است مشکل برطرف شود.

← وسیله متصل شده به فیش **HDMI OUT** با فرمت سیگنال صدا مطابقت ندارد، در این حالت، "صدا (HDMI)" را در **"HDMI** تنظیم" روی **"PCM** تنظیم کنید.

← راه حل های زیر را امتحان کنید: ① پخش کننده را خاموش و دوباره روشن کنید. ② وسیله متصل را خاموش و دوباره روشن کنید. ③ سیم **HDMI** را جدا و دوباره وصل کنید.

پخش کننده دستگاه **USB** متصل را شناسایی نمی کند.

← دستگاه **USB** محکم به پخش کننده وصل نشده است.

← دستگاه **USB** یا سیم صدمه دیده است.

← حالت دیسک به حالت **USB** عوض نشده است.

## فرمت فایل قابل پخش

ویدئو: MPEG-1 (داده MPEG-4/Cyber-shot) ویدئو (نمایه آسان) Xvid/1\*

عکس: JPEG (فرمت DCF)

موسیقی: MP3 (بجز WMA/mp3PRO) (بجز

WMA Pro) AAC/2\*، 1\*، WAVE/LPCM/2\*، 1\* (WMA Pro

\*1 فایل های دارای حق کپی رایت (مدیریت حقوق دیجیتال) پخش نمی شود.

\*2 پخش کننده فایل های که دار از قبیل **Lossless** را پخش نمی کند.

پسوندهای پشتیبانی شده: ".avi"، ".mpg"،

"mpeg"، ".mp4"، ".jpg"، ".mp3"، ".wma"،

"m4a"، ".wav"

دیسک های پشتیبانی شده: DVD±RW/±R/±R، DVD، DL، CD، موسیقی / Super VCD، CD-R/RW

• DATA CD ضبط شده مطابق با سطح 1 و ISO 2

• 9660 با فرمت توسعه یافته آن، Joliet.

• DATA DVD ضبط شده براساس UDF.

• پخش کننده همه فایل های بالا را پخش می کند حتی اگر فرمت فایل متفاوت باشد. پخش این داده ها ممکن است باعث ایجاد نویز شود که در نتیجه منجر به خراب شدن بلندگو می شود.

• پخش پوشه ها با سلسله مراتب پیچیده ممکن است مدتی طول بکشد. آلبوم ها را حدکثر با دو سلسله مراتب ایجاد کنید.

• ممکن است بعضی فایل های ویدئو، عکس و موسیقی بسته به شرایط کدگذاری/کدگشایی پخش نشوند.

• شروع پخش و رفتن به آلبوم/فایل بعد یا آلبوم/فایل دیگر ممکن است طول بکشد.

• پخش کننده حداکثر تا 200 آلبوم و 600 فایل تشخیص می دهد. در صورت انتخاب "عکس (موسیقی)"، حداکثر تا 300 فایل موسیقی و 300 فایل عکس تشخیص می دهد.

• ممکن است پخش کننده فایل های متشکل از دو یا چند فایل ویدئویی را پخش نکند.

• پخش کننده می تواند فایل ویدئویی بزرگتر از 720 (عرض) × 576 (طول) / 2 گیگابایت را پخش کند.

• ممکن است پخش بسته به فایل یکنواخت نباشد. توصیه می شود فایل را با سرعت بیت پایین تر ایجاد کنید.

• ممکن است پخش کننده فایل ویدئویی با سرعت بالا روی DATA CD را یکنواخت پخش نکند. توصیه می شود با استفاده از DATA DVD پخش کنید.

• هنگام پخش داده دیداری که با فرمت MPEG-4 پشتیبانی نمی شود، فقط صدا شنیده خواهد شد.

## اطلاعات

### عیب یابی

در صورتی که هنگام استفاده از پخش کننده به مشکلات زیر برخوردید، برای رفع مشکل قبل از درخواست تعمیر از راهنمای عیب یابی استفاده کنید. اگر مشکل همچنان باقی ماند، با نزدیک ترین فروشنده Sony مراجعه کنید.

#### دستگاه روشن نمی شود.

← بررسی کنید که سیم برق محکم وصل شده است.

#### تصویر یا نویز تصویر ظاهر نمی شود.

← سیم برق را محکم وصل کنید.

← سیم های اتصال صدمه دیده اند.

← اتصال به تلویزیون را بررسی کرده و انتخابگر ورودی

روی تلویزیون را روشن کنید تا سیگنال پخش کننده در

صفحه تلویزیون ظاهر شود.

← سیستم رنگ پخش کننده را تغییر دهید (صفحه 5).

← دیسک کثیف یا مخدوش است.

←  $\text{||} / \text{⏻}$  را فشار دهید تا پخش کننده خاموش شود و با

استفاده از دکمه های عددی روی کنترل از راه دور

"369" را وارد کنید، سپس  $\text{||} / \text{⏻}$  را فشار دهید تا دوباره

پخش کننده را روشن کنید.

#### صدا پخش نمی شود.

← سیم برق را محکم وصل کنید.

← سیم اتصال صدمه دیده است.

← پخش کننده در حالت توقف موقت یا حالت پخش با

حرکت آهسته است.

← پخش کننده در حالت جلو رفتن یا عقب رفتن سریع است.

#### کنترل از راه دور کار نمی کند.

← باتری های کنترل از راه دور ضعیف هستند.

← کنترل از راه دور به سمت حسگر کنترل راه دور  $\text{Ⓜ}$  روی

پخش کننده نیست.

← وقتی پخش کننده را با به ترتیب فشار دادن دکمه های

روی کنترل از راه دور به کار می اندازید، هر دکمه را با

فاصله 5 ثانیه از هم فشار دهید.

#### دیسک پخش نمی شود.

← دیسک وارونه است.

← دیسک را طوری قرار دهید که طرف پخش به سمت

پایین باشد.

← دیسک کج شده است.

← پخش کننده بعضی دیسک ها را پخش نمی کند.

← کد منطقه روی DVD با پخش کننده مطابقت ندارد.

← در داخل پخش کننده عرق کرده است.

#### HDMI (YCbCr/RGB): نوع خروجی سیگنال HDMI

از فیش HDMI OUT را انتخاب می کند. اگر تصویر پخش مخدوش است، روی "RGB" تنظیم کنید. اگر "وضوح تصویر JPEG" روی "PhotoTV HD" تنظیم شده باشد نمی توانید این را انتخاب کنید.

#### صدا (HDMI): نوع خروجی سیگنال صدا از فیش HDMI

را انتخاب می کند. اگر پخش کننده را به تلویزیونی وصل کرده اید که با سیگنال های DOLBY DIGITAL/DTS/ MPEG سازگار نیست، روی "PCM" تنظیم کنید.

\*1 در صورت انتخاب "→ سایر موارد"، یک کد زبان انتخاب و وارد کنید. "لیست کد زبان" در انتهای این دفترچه راهنما مراجعه کنید.

\*2 این عملکرد بر خروجی از فیش های زیر تأثیر می گذارد:

– فیش های LINE OUT L/R (AUDIO).

– اگر "DOLBY DIGITAL" روی "ترکیب PCM-D"

تنظیم شده باشد، فقط فیش DIGITAL OUT

(COAXIAL)/HDMI OUT.

\*3 اگر تصویر به طور معمول ظاهر نشد یا صفحه خالی

شد، تنظیمات را مجدداً تنظیم کنید.  $\text{||} / \text{⏻}$  را فشار دهید

تا خاموش شود، "369" را وارد کرده و برای روشن کردن

پخش کننده مجدداً  $\text{||} / \text{⏻}$  را فشار دهید.

**پس زمینه:** رنگ پس زمینه یا عکس روی صفحه تلویزیون را انتخاب می کند. اگر "عکس جلد سی دی" را تنظیم کرده باشید، علیرغم اینکه دیسک حاوی عکس جلد سی دی نباشد، عکس "گرافیک" ظاهر می شود.

**حالت (PROGRESSIVE):** اگر "انوماتیک" را انتخاب کنید، پخش کننده فرمت (فیلم یا ویدیو) را شناسایی و به نسخه مناسب تبدیل می کند.

**خروجی 4 به 3:** این تنظیمات فقط در صورتی اعمال می شود که "نوع تلویزیون" را روی "16 به 9" تنظیم کنید. وقتی می توانید نسبت اندازه تصویر را روی تلویزیون خود تغییر دهید، "کامل" را انتخاب کنید.

### تنظیمات دلخواه

**حالت انتظار خودکار:** حالت انتظار خودکار را روی روشن یا خاموش تنظیم می کند. در صورت انتخاب "روشن"، اگر پخش کننده بیش از 30 دقیقه در حالت توقف بماند، به حالت انتظار می رود.

**اجرای اتوماتیک:** اگر روی "روشن" تنظیم شود، وقتی پخش کننده به وسیله تایمر (ارائه شده است) روشن شود، به طور خودکار شروع به پخش می کند.

**حالت توقف موقت:** عکس را در حالت توقف موقت انتخاب می کند. به طور معمول "اتوماتیک" را انتخاب می کند. وقتی وضوح خروجی عکس عالی است، روی "فریم" تنظیم کنید. (فقط DVD)

**انتخاب آهنگ:** هنگام پخش DVD VIDEO که چند فرمت صوتی (PCM، صدای MPEG، DTS یا فرمت Dolby Digital) روی آن ضبط شده، اولویت را به آهنگ صوتی با بیشترین تعداد کانال می دهد. در صورت انتخاب "اتوماتیک"، اولویت داده می شود. (فقط DVD VIDEO)

**کیفیت تصویر:** نمایش ترجیحی را به تصویر با کیفیت بالا یا سرعت انتخاب می کند. (فقط فایل های عکس)

**بازگشت چند دیسک:** تنظیمات بازگشت چند دیسک را روشن یا خاموش می کند. پخش بازگشت را می توان حداکثر برای DVD VIDEO/VIDEO CD 6 در حافظه ذخیره کرد. اگر دوباره تنظیمات را شروع کنید، نقطه بازگشت پاک می شود. (فقط DVD VIDEO/VIDEO CD)

### تنظیمات صدا

**صداي DRC (کنترل دامنه دینامیک):** \* براساس محیط اطراف تنظیم کنید. وقتی کوچک ترین صداها قابل تشخیص نیستند، روی "حالت تلویزیون" تنظیم کنید یا وقتی محیط برای شنیدن خوب است، برای مثال در سالن سینمای خانوادگی روی "WIDE RANGE" تنظیم کنید.

**ترکیب اولیه:** \* هنگام پخش یک DVD حاوی المنت های صدای عقب (کانال ها)، یا ضبط شده در فرمت Dolby Digital، روش ترکیب اولیه را به 2 کانال عوض می کند. به طور معمول "صدای فراگیر دالبی" را انتخاب کنید.

**خروجی دیجیتال:** انتخاب می کند که آیا سیگنال های صدا از طریق فیش /DIGITAL OUT (COAXIAL) خارج شوند یا خیر. در صورت انتخاب "روشن"، موارد زیر را نیز تنظیم کنید "DOLBY DIGITAL"، "MPEG"، "DTS" یا "48kHz/96kHz PCM".

**DOLBY DIGITAL:** نوع سیگنال Dolby Digital را انتخاب می کند. وقتی پخش کننده بدون Dolby Digital رمزگشای داخلی به یک وسیله صوتی وصل است، روی "ترکیب D-PCM" تنظیم کنید.

**MPEG:** سیگنال صدای MPEG را انتخاب می کند. وقتی پخش کننده بدون MPEG رمزگشای داخلی به یک وسیله صوتی وصل است، روی "MPEG" تنظیم کنید.

**DTS:** نوع سیگنال صدای DTS را انتخاب می کند. هنگام پخش DVD VIDEO با آهنگ های صوتی DTS روی "روشن" تنظیم کنید. هنگام اتصال پخش کننده به یک دستگاه صوتی بدون رمزگشای DTS، روی "روشن" تنظیم کنید.

**PCM 48kHz/96kHz:** فرکانس نمونه سیگنال خروجی صدای دیجیتال را انتخاب می کند. (فقط DVD VIDEO)

### HDMI تنظیم

موارد مربوط به اتصال HDMI را می توانید تنظیم کنید.

**HDMI وضوح تصویر:** \* نوع خروجی سیگنال ویدئو

از فیش HDMI OUT را انتخاب می کند. اگر "اتوماتیک (1920x1080p)" (پیش فرض) انتخاب شود، پخش کننده سیگنال های ویدئویی با بالاترین وضوح تصویر قابل قبول برای تلویزیون شما را تولید می کند. اگر تصویر واضح نیست، طبیعی نیست یا رضایت شما را جلب نمی کند، گزینه دیگری مناسب با دیسک، تلویزیون/پروژکتور، غیره را امتحان کنید. در خصوص جزئیات به دفترچه راهنمای ارائه شده با تلویزیون/پروژکتور، غیره مراجعه کنید.

اگر "وضوح تصویر JPEG" روی "PhotoTV HD" تنظیم شده باشد می توانید این را انتخاب کنید.

**وضوح تصویر JPEG:** نوع وضوح تصویر JPEG را انتخاب می کند و شما می توانید از طریق اتصال HDMI از تصویر با کیفیت بالا لذت ببرید.

این تنظیمات فقط وقتی اعمال می شود که "نوع تلویزیون" را روی "16 به 9" تنظیم کرده باشید. اگر "HDMI وضوح تصویر" روی "720x480/576p" تنظیم شده باشد می توانید این را انتخاب کنید. □ HD (1920x1080i) و "HD (1920x1080i)" فقط در صورتی اعمال می شوند که "HDMI وضوح تصویر" روی "1920x1080i" تنظیم شده باشد. اگر این تنظیمات روی "PhotoTV HD" □ HD (1920x1080i) ، یا "HD (1920x1080i)"

تنظیم شود، عملکردهای جلو، چرخش و بزرگنمایی در دسترس نمی باشند.



## منوی انتخابی

می توانید تنظیمات مختلفی را ایجاد کنید. وقتی پخش کننده در حالت توقف است، DISPLAY را فشار دهید، (تنظیم) را انتخاب کرده و سپس "انتخابی" را انتخاب کنید. منوی انتخابی ظاهر می شود.

## لیست منو

مورد	نام مورد، عملکرد
آق	تنظیمات زبان
OSD	(نمایش روی صفحه): زبان نمایش روی صفحه را عوض می کند.
منو*1:	زبان دلخواه را برای منوی دیسک (فقط DVD VIDEO) انتخاب می کند.
صدا*1:	زبان آهنگ صوتی را عوض می کند. در صورت انتخاب "اصلی"، زبان ترجیحی دیسک انتخاب می شود. (فقط DVD VIDEO)
زیرنویس*1:	زبان زیرنویس ضبط شده DVD VIDEO را عوض می کند. در صورت انتخاب "تنظیمات صدا بر اساس زیرنویس"، زبان زیرنویس بر طبق زبانی که بر اساس زبانی که برای آهنگ صوتی انتخاب کرده اید، تغییر می یابد. (فقط DVD VIDEO)

## تنظیمات صفحه

نوع تلویزیون: نسبت اندازه تصویر تلویزیون متصل را انتخاب می کند.



16 به 9



کادر 4 به 3



پن اسکن 4 به 3

سیستم رنگ (VIDEO CD): هنگام پخش VIDEO CD، سیستم رنگ را انتخاب می کند. اگر تلویزیون شما در سیستم است، "اتوماتیک" را انتخاب کنید. محافظ صفحه نمایش: اگر روی "روشن" تنظیم شده باشد، وقتی پخش کننده به مدت 15 دقیقه در حالت توقف یا توقف موقت باشد محافظ صفحه نمایش ظاهر می شود. برای خاموش کردن محافظ صفحه نمایش، را فشار دهید.

## در حال اتصال به دستگاه USB

شما می توانید یک دستگاه USB را به فیش USB در پخش کننده متصل کنید تا فایل های ویدئویی، عکس یا موسیقی را پخش کنید.

## جدا کردن دستگاه USB

پخش را متوقف کرده و دستگاه USB را از فیش USB جدا کنید.

## تغییر دادن LUN

در برخی دستگاه ها، ممکن است LUN (شماره واحد منطقی) ظاهر شود. برای تغییر دادن LUN یا مکان ذخیره اصلی، وقتی لیست آلبوم ها یا آهنگ ها نمایش داده شد، را فشار دهید.

## درباره دستگاه های پشتیبانی شده USB

- این پخش کننده فقط از کلاس ذخیره انبوه USB پشتیبانی می کند.
- این پخش کننده فقط از دستگاه USB فرمت FAT پشتیبانی می کند.
- ممکن است برخی دستگاه های USB با این پخش کننده کار نکنند.

تاریخ گرفتن عکس توسط دوربین دیجیتالی را نمایش می دهد.

مدت زمان نمایش اسلایدها روی صفحه را مشخص می کند.

جلوه های مورد نظر جهت تغییر دادن اسلایدها در طی نمایش اسلاید را انتخاب می کند.

**حالت 1:** تصاویر به طور اتفاقی در جلوه ها دور می زنند.  
**حالت 2:** این تصویر از سمت چپ بالا به سمت راست پایین حرکت می کند.

**حالت 3:** این تصویر از بالا به پایین حرکت می کند.

**حالت 4:** این تصویر از چپ به راست حرکت می کند.

**حالت 5:** این تصویر از مرکز صفحه گسترده می شود.

**خاموش:** این عملکرد را خاموش می کند.

نوع رسانه مورد نظر را جهت پخش انتخاب می کند.

**ویدیو:** فایل های ویدیویی را پخش می کند.

**عکس (موسیقی):** فایل های عکس و موسیقی را به صورت

نمایش اسلاید پخش می کند. اگر فایل های موسیقی و عکس

در یک آلبوم گذاشته شوند، می توانید نمایش اسلاید را با

صدا مشاهده کنید. اگر زمان پخش موسیقی یا عکس ها

طولانی تر باشد، آنکه طولانی تر است بدون صدا یا تصویر

ادامه می یابد.

**عکس (BGM):** فایل های عکس را با صدای پس زمینه

داخلی پخش کننده پخش می کند. برای انتخاب ملودی

صدای پس زمینه، هنگام مشاهده تصویر، AUDIO را مکررا

فشار دهید.

**موسیقی:** فایل های موسیقی را پخش می کند. هنگام پخش

فایل های موسیقی حاوی اطلاعات ترانه همگام سازی نشده،

SUBTITLE را فشار دهید. پخش کننده فقط ترانه های

MP3 ID3 را پشتیبانی می کند.

\* بسته به فایل، ممکن است این عملکرد امکان پذیر نباشد.

## پخش VIDEO CD ها با عملکرد PBC

وقتی با عملکردهای PBC (کنترل پخش) شروع به پخش یک VIDEO CD می کنید، منو جهت انتخاب ظاهر می شود.

### پخش بدون استفاده از PBC

وقتی پخش کننده متوقف شد، برای انتخاب آهنگ

◀◀◀ یا ▶▶▶ با دکمه های عددی در فشار دهید و سپس

▶ با ENTER را فشار دهید. برای بازگشت به پخش

PBC، دوبار ■، سپس ▶ را فشار دهید.

### کنترل تلویزیون با کنترل از راه دور

با کنترل از راه دور ارائه شده می توانید میزان صدا، منبع ورودی و کلید روشن/خاموش تلویزیون Sony خود را کنترل کنید.

اگر تلویزیون شما در جدول زیر آمده است، کد سازنده صحیح را تنظیم کنید.

وقتی باتری های کنترل از راه دور را عوض می کنید، دوباره شماره کد صحیح را تنظیم کنید.

**1** در حالی که TV را پایین نگه داشته اید، برای انتخاب کد سازنده تلویزیون، دکمه های عددی در فشار دهید.

**2** TV را رها کنید.

#### شماره های کد تلویزیون قابل کنترل

01	Sony
24	Hitachi
33	JVC
76	LG/Goldstar
49.17	Panasonic
72.08.06	Philips
71	Samsung
29	Sharp
38	Toshiba

### مشاهده یک نمایش اسلاید با کیفیت عالی (PhotoTV HD)

اگر تلویزیون Sony شما با "PhotoTV HD" سازگار است، می توانید از تصاویر با بهترین کیفیت لذت ببرید. وقتی پخش کننده با یک سیم HDMI به تلویزیون وصل شود و "وضوح تصویر JPEG" در "HDMI تنظیم" روی "PhotoTV HD" تنظیم شود، "PhotoTV HD" فعال می شود (صفحه 7).

### تغییر دادن سیستم رنگ

اگر منوهای روی صفحه پخش کننده در تلویزیون متصل ظاهر نشد، سیستم رنگ پخش کننده را تغییر دهید تا با سیستم رنگ تلویزیون (PAL یا NTSC) مطابق شود.

ابتدا با فشار دادن پخش کننده را خاموش کنید.

سپس DISPLAY را فشار دهید، با استفاده از دکمه

عددی "0" را وارد کرده و بعد روی کنترل از راه دور

را فشار دهید. پخش کننده روشن شده و نام سیستم رنگ

روی نمایشگر پانل جلو ظاهر می گردد.

## کنترل والدین (پخش محدود)

می توانید یک سطح محدودیت پخش تنظیم کنید.

1 " → پخش کننده"، را انتخاب کرده، سپس ENTER را فشار دهید.

رمز 4 رقمی خود را وارد کرده یا دوباره وارد کنید، سپس ENTER را فشار دهید.

2 برای انتخاب "استاندارد"،  $\uparrow/\downarrow$  و سپس ENTER را فشار دهید.

برای انتخاب یک منطقه،  $\uparrow/\downarrow$  و سپس ENTER را فشار دهید.

هنگام انتخاب "→ سایر موارد"، یک کد استاندارد انتخاب و وارد کنید. به "لیست کد منطقه کنترل والدین" در انتهای این دفترچه راهنما مراجعه کنید.

3 برای انتخاب "سطح"،  $\uparrow/\downarrow$  و سپس ENTER را فشار دهید.

برای انتخاب سطح،  $\uparrow/\downarrow$  و سپس ENTER را فشار دهید.

تنظیمات کنترل والدین انجام شد.

هرچه مقدار کمتر باشد، محدودیت شدیدتر است.

برای خاموش کردن عملکرد کنترل والدین، "سطح" را روی "خاموش" تنظیم کنید.

در صورت فراموش کردن رمز خود، "199703" را در کادر رمز وارد کرده، ENTER را فشار دهید و سپس یک رمز 4 رقمی جدید وارد کنید.

## تنظیم

**سریع:** از تنظیم سریع برای انتخاب زبان دلخواه نمایش روی صفحه، نسبت اندازه صفحه تلویزیون و سیگنال خروجی صدا استفاده کنید.

**انتخابی:** علاوه بر تنظیم سریع، می توانید تنظیمات مختلف دیگری نیز ایجاد کنید (صفحه 6).

**تنظیم مجدد:** تنظیمات را در "تنظیم" به تنظیمات پیش فرض باز می گرداند.

## بزرگ نمائی (زوم)\*1

تصویر را تا چهار برابر اندازه اصلی بزرگ می کند، تصویر را با استفاده از  $\leftarrow/\rightarrow/\uparrow/\downarrow$  بچرخانید.

## زاویه

زاویه را تغییر می دهد.

## حالت عکس انتخابی

کیفیت عکس را به مناسب ترین حالت برای برنامه ای که در حال تماشای آن هستید انتخاب می کند.

استاندارد: یک عکس استاندارد نمایش می دهد.

**دینامیک:** با افزایش کنتراست و تراکم رنگ تصویر، یک عکس دینامیک پر رنگ تولید می کند.

**سینما:** با افزایش سطح سیاه جزئیات را در منطقه تاریک تقویت می کند.

→ **حافظه:** عکس را با جزئیات بیشتر تنظیم می کند.

## وضوح

برای تولید عکس دقیق تر، خطوط بیرونی تصویر را تشدید می کند.

**خاموش:** این گزینه را لغو می کند.

1: خطوط بیرونی را تقویت می کند.

2: خطوط بیرونی را بیش از 1 تقویت می کند.

## هماهنگ سازی صدا و تصویر

تأخیر بین عکس و صدا را تنظیم می کند. این عملکرد در حالت زیر عمل نمی کند:

- اگر از فیش DIGITAL OUT (COAXIAL)

استفاده کنید و "DOLBY DIGITAL"، "MPEG"،

یا "DTS" را در "تنظیمات صدا" به ترتیب روی

"DOLBY DIGITAL"، "MPEG"، یا "روشن" تنظیم

کنید (صفحه 7).

- یک دستگاه Dolby Digital یا DTS را از طریق فیش

HDMI OUT وصل کنید و "DOLBY DIGITAL"،

"MPEG"، یا "DTS" را در "تنظیمات صدا" به ترتیب

روی "DOLBY DIGITAL"، "MPEG"، یا "روشن"

تنظیم کنید (صفحه 7).

1 "→ تنظیم" را انتخاب کرده، سپس ENTER را فشار دهید.

نوار تنظیم "هماهنگ سازی صدا و تصویر" ظاهر می شود.

2 برای تعدیل تأخیر، → را مکرراً فشار دهید.

هر بار  $\leftarrow/\rightarrow$  را فشار می دهید، تأخیر 10 میلی ثانیه تعدیل می شود.

3 ENTER را فشار دهید.

تنظیمات انتخاب شده اعمال می گردد.

جهت تنظیم مجدد تنظیمات "هماهنگ سازی صدا و

تصویر"، در مرحله 2 CLEAR را فشار دهید.

\*1 برای بازگشت به پخش عادی، "خاموش" را انتخاب کنید یا CLEAR را فشار دهید.

\*2 در حالت زیر حالت های پخش لغو می شود:  
- سینی دیسک را باز کنید.  
- پخش کننده را خاموش کنید.

## ◆ موارد فایل های DATA

### مورد نام مورد، عملکرد

#### آلبوم

آلبوم حاوی فایل های موسیقی و عکس را جهت پخش انتخاب می کند.

#### فایل

فایل عکس را جهت پخش انتخاب می کند.

#### آلبوم

آلبوم حاوی فایل ویدیو را جهت پخش انتخاب می کند.

#### فایل

فایل ویدیو را جهت پخش انتخاب می کند.

دیسک/USB

"USB" یا "دیسک" مورد نظر را جهت پخش انتخاب می کند.

منوی بالا/منو

(فقط DVD VIDEO)  
**منوی بالا:** منوی بالا را نمایش می دهد.  
**منو:** منو را نمایش می دهد.

اصلی/لیست پخش

نوع عنوان (حالت DVD-VR) مورد نظر جهت پخش را انتخاب کنید: اصلی یا لیست پخش ویرایش شده.

برنامه 1، 2\*

عنوان، بخش یا آهنگ مورد نظر را جهت پخش به ترتیبی که شما می خواهید انتخاب می کند.

- 1 " → تنظیم"، را انتخاب کرده سپس ENTER را فشار داده و عنوان (T)، بخش (C) یا آهنگ (T) مورد نظر را جهت برنامه ریزی انتخاب کنید و ENTER را فشار دهید.
- 2 انتخاب عنوان، بخش یا آهنگ را تکرار کنید.
- 3 ▶ را فشار دهید.

انتخاب نامنظم (SHUFFLE) 1، 2\*

عنوان، بخش یا آهنگ را به ترتیب اتفاقی پخش می کند.

تکرار 1، 2\*

همه عناوین/آهنگ ها، آیویم ها یا یک عنوان/بخش/آهنگ/آلبوم/فایل را به طور مکرر پخش می کند.

تکرار A-B 1، 2\*

قسمت هایی را که می خواهید به طور مکرر پخش شود مشخص می کند.

1 در طی پخش، " → تنظیم"، را انتخاب کرده، سپس ENTER را فشار دهید.

نوار تنظیم "تکرار A-B" ظاهر می شود.

2 وقتی نقطه شروع (نقطه A) را پیدا کردید، ENTER را فشار دهید.

3 وقتی به نقطه پایان (نقطه B) رسیدید، دوباره ENTER را فشار دهید.

کنترل والدین (قفل کودک)

برای جلوگیری از پخش روی این پخش کننده، تنظیم کنید. → **پخش کننده:** پخش برخی از DVD VIDEO ها را می توان بر اساس سطح از قبل تعیین شده از جمله سن کاربران محدود کرد. ممکن است صحنه ها مسدود شده یا با صحنه های دیگر تعویض شود (کنترل والدین).

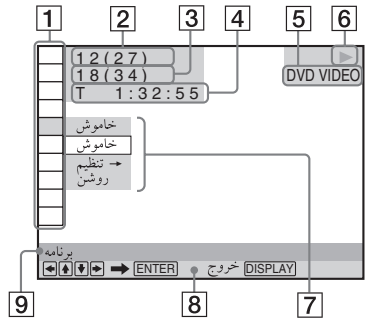
→ **رمز:** با استفاده از دکمه های عددی یک رمز 4 رقمی وارد کنید. از این منو همچنین برای تغییر دادن رمز استفاده کنید.

نمایش منوی کنترل

از منوی کنترل برای انتخاب عملکرد و مشاهده اطلاعات مربوطه استفاده کنید.

DISPLAY را فشار دهید.

برای تغییر نمایش منوی کنترل، دوباره DISPLAY را فشار دهید.



- 1 موارد منوی کنترل
- 2 عنوان در حال پخش/کل تعداد عناوین
- 3 بخش در حال پخش/کل تعداد عناوین بخش ها
- 4 زمان پخش
- 5 نوع رسانه انتخابی
- 6 وضعیت پخش
- 7 نماد مورد انتخابی/گزینه های منو
- 8 پیام عملیات
- 9 مورد انتخابی منوی کنترل

لیست منو

مورد نام مورد، عملکرد

عنوان/صحنه/آهنگ

بخش/فهرست

آهنگ

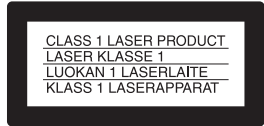
عنوان، صحنه، آهنگ، بخش یا فهرست مورد نظر را جهت پخش انتخاب می کند.

زمان/نوشتار

مدت سپری شده و مدت باقیمانده پخش را بررسی می کند. کد زمان را برای جستجوی عکس و موسیقی (فقط فایل های ویدیویی DVD و Xvid را وارد کنید).

برای کاهش دادن خطر آتش سوزی و برق گرفتگی، دستگاه را در باران یا محل‌های مرطوب قرار ندهید. برای جلوگیری از برق گرفتگی، دستگاه را باز نکنید. این کار را به افراد کارآزموده واگذار نمائید. سیم برق بایستی از سوی سرویسکار معتبر تعویض شود.

باتریرها یا باتریهای داخل دستگاه را نباید در برابر گرمای زیاد مانند نور خورشید، آتش یا مشابه آن قرار داد.



این وسیله به عنوان محصول دسته 1 لیزری (CLASS 1 LASER) طبقه بندی می شود. علامت محصول درجه 1 لیزری در عقب قسمت خارجی قرار دارد.

## احتیاط

تجهیزات نوری بکار رفته در این دستگاه به چشمان شما آسیب می رساند. از آنجائیکه اشعه لیزر استفاده شده در این دستگاه CD/DVD برای چشم مضر است، دستگاه را باز نکنید. این کار را به افراد کارآزموده واگذار نمائید.

## احتیاطهای لازم

- برای جلوگیری از خطر آتش سوزی و برق گرفتگی، اشیاء دارای مایعات، مانند گلدان، را روی دستگاه قرار ندهید.
- دستگاه تا زمانیکه به پریز برق وصل باشد هنوز از منبع نیرو AC (برق) جدا نشده است، حتی اگر دستگاه خاموش شده باشد.
- این دستگاه پخش را در فضایی کوچک، مانند قفسه کتاب یا مکانهایی مشابه قرار ندهید.
- دستگاه پخش را در نزدیکی پریز برق قرار دهید تا در مواقع اضطراری بتوان سیم برق AC (سیم اصلی) را با سرعت از پریز کشید.
- اگر دستگاه مستقیماً از یک محیط سرد به محیطی گرم برده شود، یا در اطقی با رطوبت بالا قرار داده شود، رطوبت بر روی نرزه‌های داخل دستگاه جمع می شود. اگر این عمل اتفاق افتد، دستگاه به درستی عمل نخواهد کرد. در این حالت، دیسک را خارج کرده و دستگاه

را برای حدود نیم ساعت روشن بگذارید تا رطوبت آن تبخیر شود.

## رعد و برق

به منظور محافظت بیشتر از این دستگاه در هنگام رعد و برق، یا وقتی برای مدت طولانی نمی خواهید از آن استفاده کنید، آن را از پریز بکشید. با این کار از آسیب‌های ناشی از رعد و برق و نوسانات برق جلوگیری می شود.

## نکات درباره دیسکها

از دیسکهای زیر استفاده نکنید:  
- دیسکی که دارای شکل استاندارد نباشد (مانند، کارت، قلب).  
- دیسکی که دارای مارک چسبانه شده یا برچسب باشد.

## رمز منطقه

دستگاه پخش شما دارای یک رمز منطقه ای می باشد که در پشت دستگاه نوشته شده است و فقط DVD های موجود در بازار (فقط پخش) را که برچسب روی آنها رمزهای منطقه ای را مشخص کرده است را پخش می نماید. از این سیستم برای حفاظت حق پخش استفاده می شود.



DVD های معمولی دارای برچسب نیز قادر به پخش توسط این دستگاه می باشند.

برخی از DVD های معمولی فاقد رمز منطقه ای می باشند، اگر چه پخش DVD های معمولی از سوی برخی از مناطق محدود شده است.



رمز منطقه ای

## اطلاعات حقوق نسخه برداری،

### مارک های تجاری و مجوز نرم افزار

- ساخته شده مجوز لابر اتوار
- دالبی و دالبی و نشان double-D دامهای تجاری تابع لابر اتوار دالبی می باشند.
- "DVD Logo" یک مارک تجاری DVD Format/Logo Licensing Corporation است.
- تکنولوژی کدگذاری صوت MPEG Layer-3 و دارای مجوز ثبت شده از Thomson and Fraunhofer IIS.
- Windows Media یک مارک تجاری Microsoft ثبت شده یا مارک تجاری Microsoft Corporation در ایالات متحده و/یا سایر کشورهاست.
- این محصول دارای فن آوری هایست که ممکن است حقوق معنوی Microsoft باشند.

استفاده از توزیع این فن آوری خارج از این محصول بدون کسب مجوز مناسب از Microsoft ممنوع است.

- این دستگاه DVD با تکنولوژی High Definition Multimedia Interface (HDMI™) سازگار می باشد. آرم HDMI و High-Definition Multimedia Interface علامت تجاری یا علامت تجاری ثبت شده از HDMI Licensing LLC در ایالات متحده آمریکا یا سایر کشورها می باشند.
- دیگر علامت تجاری متعلق به صاحبان آنها می باشد.
- این محصول تحت گو ایننامه به ثبت رسیده MPEG-4 VISUAL جهت استفاده شخصی و غیر تجاری مصرف کننده برای دیدن کردن ویدئو به روش سازگار با MPEG-4 VISUAL استاندارد ("MPEG-4 VIDEO") می باشد که توسط مصرف کننده با مضمون شخصی یا غیر تجاری کدگذاری شده و/یا از یک تولید کننده مجاز ویدئو توسط MPEG LA برای تولید MPEG-4 VIDEO بدست آمده است. هیچ نوع مجوز دیگری برای سایر استفاده هاگاران نمی شود و کاربردی ندارد. اطلاعات بیشتر شامل فروش، مصارف داخلی و تجاری و اخذ مجوز را می تو انید از طریق LCC.MPEG LA بدست آورید. به سایت <http://www.mpegla.com> مراجعه نمائید.

## درباره این دفترچه راهنما

اصطلاح "DVD" بطور کلی برای کلیه DVD های معمولی، DVD+RW / DVD+R / DVD+R DL / DVD-R / DVD-R DL / DVD-R DL (+VR) / DVD-R DL (حالت VR، حالت تصویری) استفاده می شود.

## قائمة رموز اللغات

الصفحة 6

الرمز اللغة	الرمز اللغة	الرمز اللغة	الرمز اللغة
Samoan 1507	Maori 1347	Irish 1183	Afar 1027
Shona 1508	Macedonian 1349	Scots Gaelic 1186	Abkhazian 1028
Somali 1509	Malayalam 1350	Galician 1194	Afrikaans 1032
Albanian 1511	Mongolian 1352	Guarani 1196	Amharic 1039
Serbian 1512	Moldavian 1353	Gujarati 1203	Arabic 1044
Siswati 1513	Marathi 1356	Hausa 1209	Assamese 1045
Sesotho 1514	Malay 1357	Hindi 1217	Aymara 1051
Sundanese 1515	Maltese 1358	Croatian 1226	Azerbaijani 1052
Swedish 1516	Burmese 1363	Hungarian 1229	Bashkir 1053
Swahili 1517	Nauru 1365	Armenian 1233	Byelorussian 1057
Tamil 1521	Nepali 1369	Interlingua 1235	Bulgarian 1059
Telugu 1525	Dutch 1376	Interlingue 1239	Bihari 1060
Tajik 1527	Norwegian 1379	Inupiak 1245	Bislama 1061
Thai 1528	Occitan 1393	Indonesian 1248	Bengali; 1066
Tigrinya 1529	(Afan)Oromo 1403	Icelandic 1253	Bangla
Turkmen 1531	Oriya 1408	Italian 1254	Tibetan 1067
Tagalog 1532	Punjabi 1417	Hebrew 1257	Breton 1070
Setswana 1534	Polish 1428	Japanese 1261	Catalan 1079
Tonga 1535	Pashto; 1435	Yiddish 1269	Corsican 1093
Turkish 1538	Pushto	Javanese 1283	Czech 1097
Tsonga 1539	Portuguese 1436	Georgian 1287	Welsh 1103
Tatar 1540	Quechua 1463	Kazakh 1297	Danish 1105
Twi 1543	-Rhaeto 1481	Greenlandic 1298	German 1109
Ukrainian 1557	Romance	Cambodian 1299	Bhutani 1130
Urdu 1564	Kirundi 1482	Kannada 1300	Greek 1142
Uzbek 1572	Romanian 1483	Korean 1301	English 1144
Vietnamese 1581	Russian 1489	Kashmiri 1305	Esperanto 1145
Volapük 1587	Kinyarwanda 1491	Kurdish 1307	Spanish 1149
Wolof 1613	Sanskrit 1495	Kirghiz 1311	Estonian 1150
Xhosa 1632	Sindhi 1498	Latin 1313	Basque 1151
Yoruba 1665	Sangho 1501	Lingala 1326	Persian 1157
Chinese 1684	-Serbo 1502	Laothian 1327	Finnish 1165
Zulu 1697	Croatian	Lithuanian 1332	Fiji 1166
	Singhalese 1503	Latvian; 1334	Faroese 1171
	Slovak 1505	Lettish	French 1174
غير محدد 1703	Slovenian 1506	Malagasy 1345	Frisian 1181

1988 (E/F) قياسي: ISO 639

## قائمة رموز منطقة الرقابة الأبوية

الصفحة 3

الرمز المنطقة	الرمز المنطقة	الرمز المنطقة	الرمز المنطقة
Spain 2149	Mexico 2362	Finland 2165	Argentina 2044
Sweden 2499	Netherlands 2376	France 2174	Australia 2047
Switzerland 2086	New Zealand 2390	Germany 2109	Austria 2046
Thailand 2528	Norway 2379	India 2248	Belgium 2057
United 2184	Pakistan 2427	Indonesia 2238	Brazil 2070
Kingdom	Philippines 2424	Italy 2254	Canada 2079
	Portugal 2436	Japan 2276	Chile 2090
	Russia 2489	Korea 2304	China 2092
	Singapore 2501	Malaysia 2363	Denmark 2115

## المواصفات

### النظام

الليزر: ليزر شبه موصل

### الإدخال/المخرجات

- LINE OUT L/R (AUDIO): مقبس فونو
- DIGITAL OUT (COAXIAL): مقبس فونو
- LINE OUT (VIDEO): مقبس فونو
- HDMI OUT: موصل HDMI قياسي ذو 19 سناً
- USB: مقبس USB من النوع أ، الحد الأقصى للتيار 500 ميلي أمبير (لتوصيل جهاز USB)

### مواصفات عامة

- متطلبات الطاقة: 110-240 فولت تيار متردد، 60/50 هرتز
- استهلاك الطاقة: 10 واط
- الأبعاد (تقريبية): 270 × 38.5 × 209 مم (العرض/الارتفاع/العمق) بما في ذلك الأجزاء البارزة
- الكتلة (تقريبية): 950 جم
- درجة الحرارة أثناء التشغيل: 5 درجة مئوية إلى 35 درجة مئوية
- الرطوبة أثناء التشغيل: 25% إلى 80%

### الملحقات المرفقة

- وحدة التحكم عن بعد (1)
  - بطاريتان طراز R6 (حجم AA) (2)
  - سلك HDMI (1)
- المواصفات والتصميم عرضة للتغيير دون إشعار مسبق.

## ملاحظة حول الوسائط القابلة للتسجيل

لا يمكن عرض بعض الوسائط القابلة للتسجيل على هذا المشغل بسبب جودة التسجيل أو حالة الأسطوانة أو خصائص جهاز التسجيل وبرنامج الترخيص. لا يمكن عرض الأسطوانة إذا لم يتم تخطيمها بصورة صحيحة. وأيضاً لا يمكن تشغيل بعض أسطوانات DATA التي تم إنشاؤها بتسويق Packet Write.

بالنسبة للمشغل الذي لا يستطيع أن يعرض الصور التي تحتوي على حماية ضد النشر فقط

قد لا يتم عرض الصور التي تحتوي على حماية CPRM (حماية المحتويات للوسائط القابلة للتسجيل) في وضع DVD-VR.

## ملاحظة حول عمليات العرض لأسطوانات VIDEO و DVD CD

قد تكون بعض عمليات عرض أسطوانات VIDEO و DVD CD مضبوطة بشكل مقصود من قبل منتجي البرامج. بما أن هذا المشغل يعرض أسطوانات VIDEO و DVD وفقاً لمحتويات الأسطوانة التي صممها منتجي البرامج، قد لا تتوفر بعض مزايا العرض. أيضاً، ارجع إلى تعليمات التشغيل المرفقة مع أسطوانات VIDEO CD أو DVD.

## ملاحظة حول الأسطوانات

هذه الوحدة مصممة لعرض الأسطوانات المتوافقة مع معيار الأسطوانة المدمجة (CD). الأسطوانات ثنائية الوجه وبعض الأسطوانات الموسيقية المشفرة بتقنيات حماية حقوق النشر لا تتطابق مع معيار الأسطوانة المدمجة (CD). ولذلك، قد لا تتوافق هذه الأسطوانات مع هذه الوحدة.

← لا يتمكن النظام من عرض أسطوانة مسجلة لم يتم اختتامها بشكل صحيح.

## تنسيق الملفات القابلة للعرض

فيديو: MPEG-1/(بيانات MPEG-4/Cyber-shot) (ملف تعريف بسيط)\*Xvid/!

الصور الفوتوغرافية: JPEG (تنسيق DCF) الموسيقي: MP3 (باستثناء WMA/mp3PRO) (باستثناء WAVE/LPCM/2\* AAC/2\* 1) (WMA Pro)

\*1 لا يمكن تشغيل الملفات المحمية بحقوق النشر (إدارة الحقوق الرقمية).

\*2 لا يقوم المشغل بعرض الملفات المرزمة، مثل Lossless.

الامتدادات المدعومة: ".avi"، ".mpg"، ".mpeg"، ".mp4"، ".jpg"، ".jpeg"، ".m4a"، ".wma"، ".mp3"، ".wav".

الأسطوانات المدعومة: DVD، DVD±RW/±R DL، CD-R/RW، Music CD/Super VCD

• أسطوانات DATA CD المسجلة حسب ISO 9660 المستوى الأول/المستوى الثاني، أو التنسيق الممتد التابع له، Joliet.

• أسطوانات DATA DVD المسجلة حسب UDF. يقوم المشغل بتشغيل أي من الملفات المذكورة أعلاه، حتى إذا اختلف تنسيق الملف. يمكن أن يؤدي تشغيل مثل هذه البيانات إلى توليد ضوضاء يمكن أن تؤدي إلى الإضرار بالسماعة.

• يمكن أن يحتاج تشغيل تدرج من المجلدات يحتوي على ملفات مختلطة إلى بعض الوقت. لذا، قم بعمل الألبومات بحيث تشمل على ما لا يزيد على مستويين من التدرج. قد لا يتم تشغيل بعض ملفات الفيديو والصور الشخصية والموسيقى، بناءً على ظروف الترميز/التسجيل. قد يتطلب بدء العرض والانتقال إلى ألبوم/ملف آخر أو تالٍ بعض الوقت.

• يتعرف المشغل على 200 ألبوم و600 ملف بحد أقصى. كما يمكنه التعرف على ما يصل إلى 300 ملف موسيقى و300 ملف صور فوتوغرافية عند اختيار "صورة (موسيقى)". لا يمكن للمشغل عرض مجموعة مختلطة تتكون من ملفي فيديو أو أكثر.

• لا يمكن للمشغل تشغيل ملف فيديو حجمه أكبر من 720 (عرض) × 576 (ارتفاع)/أو 2 جيجا بايت. وفقاً للملف، قد لا يكون العرض سلساً. نوصيك بعمل الملف بمعدل بت أقل.

• يمكن ألا يقوم المشغل بتشغيل ملف الفيديو ذي معدل البت المرتفع على أسطوانات DATA CD بسلاسة. ونوصيك بالعرض باستخدام DATA DVD.

• عند عرض البيانات المرئية غير المدعومة بتنسيق MPEG-4، فلن يتم إخراج أي شيء سوى الصوت.

يظهر "C:13" على الشاشة.

← قم بتنظيف الأسطوانة بقطعة قماش تنظيف أو تحقق من تنسيقها.

لا توجد صور/صوت عند التوصيل بمقبس HDMI OUT.

← قم بتغيير الإعداد "HDMI نقاوة" في HDMI إعداد. يمكن أن يتم حل المشكلة.

← الجهاز الموصل بالمقبس HDMI غير متوافق مع تنسيق إشارة الصوت، في هذه الحالة، اضبط الخيار "صوت (HDMI)" الموجود في "HDMI إعداد" على "PCM".

← حاول تنفيذ الإجراءات التالية: ① قم بإيقاف تشغيل المشغل وأعد تشغيله مرة أخرى. ② قم بإيقاف تشغيل الجهاز الموصل وأعد تشغيله مرة أخرى. ③ افصل سلك HDMI وأعد توصيله مرة أخرى.

لا يكتشف المشغل جهاز USB المتصل بالمشغل.

← لا يتم توصيل جهاز USB بإحكام بالمشغل.

← جهاز USB تالف أو السلك تالف.

← لم يتم تحويل وضع الأسطوانة إلى وضع USB.



## معلومات

### استكشاف الأخطاء وإصلاحها

إذا كنت تعاني من أي من المشاكل التالية أثناء استخدام المشغل، فاستخدم دليل استكشاف الأخطاء وإصلاحها هذا للمساعدة في حل المشكلة قبل طلب الإصلاح. إذا استمرت المشكلة، فقم باستشارة أقرب موزع Sony لديك.

لا يتم تشغيل الطاقة.

← تأكد من أن يكون سلك التيار المتردد موصولاً بإحكام.

لا تظهر صورة/أو يظهر تشويش بالصورة.

← أعد توصيل سلك التوصيل بإحكام.

← أسلاك التوصيل تالفة.

← افحص التوصيل بالتلغافز وقم بتحويل محدد المدخلات

في جهاز التلغافز لديك بحيث تظهر الإشارة الصادرة من

المشغل على شاشة التلغافز.

← قم بتغيير نظام الألوان في المشغل (صفحة 5).

← الأسطوانة متسخة أو بها عيب.

← اضغط على الزر (L) لإيقاف تشغيل المشغل، وأدخل

"369" باستخدام أزرار الأرقام الموجودة في وحدة التحكم

عن بعد، ثم اضغط على الزر (L) لتشغيل المشغل مرة

أخرى.

لا يوجد صوت.

← أعد توصيل سلك التوصيل بإحكام.

← أسلاك التوصيل تالفة.

← المشغل مضبوط على وضع التوقف المؤقت أو على وضع

العرض بحركة بطيئة.

← المشغل مضبوط على وضع التراجع السريع أو التقديم

السريع.

وحدة التحكم عن بعد لا تعمل.

← شحن البطاريات الموجودة في وحدة التحكم عن بعد

ضعيف.

← لا يتم توجيه وحدة التحكم عن بعد إلى مستشعر الإشارات

المرسلة من وحدة التحكم عن بعد [A] الموجود في الوحدة.

← عندما تقوم بتشغيل المشغل من خلال الضغط على الأزرار

الموجودة في وحدة التحكم عن بعد بالتتابع، اضغط على

الزر خلال 5 ثوانٍ من الضغط على الزر السابق له.

لا يمكن تشغيل الأسطوانة.

← الأسطوانة مقلوبة.

← قم بتحميل الأسطوانة بحيث يكون وجه التشغيل متجهًا

لأسفل.

← الأسطوانة ملتوية.

← لا يستطيع المشغل عرض أسطوانات معينة.

← رمز المنطقة الموجود على أسطوانة DVD غير متوافق مع

المشغل.

← تراكمت الرطوبة داخل المشغل.

صوت (HDMI): لاختيار نوع إشارة مخرجات الصوت الخارجة من المقبس HDMI OUT. اضبط هذا الخيار على "PCM" إذا قمت بتوصيل المشغل بجهاز تلغافز غير متوافق مع إشارات MPEG/DTS/DOLBY DIGITAL.

\*1 عندما تقوم باختيار "→ أخرى"، حدد وأدخل رمزًا للغة.

ارجع إلى "قائمة رموز اللغات" في نهاية هذا الدليل.

\*2 تؤثر هذه الوظيفة على المخرجات من المقابس التالية:

– مقابس LINE OUT L/R (AUDIO).

– مقبس HDMI/DIGITAL OUT (COAXIAL)

OUT فقط عندما يتم ضبط "DOLBY DIGITAL"

على "خط تنازلي (D-PCM)".

\*3 إذا كانت الصورة لا تظهر بشكل طبيعي أو تختفي، فقم

بإعادة ضبط هذا الإعداد. اضغط على (L) لإيقاف تشغيل

المشغل، وأدخل "369" ثم اضغط على (L) لتشغيل المشغل

مرة أخرى.

**رقمي خارج:** لاختيار هل يتم إخراج إشارات الصوت من خلال مقبس DIGITAL OUT (COAXIAL)/HDMI OUT. عند اختيار "تشغيل"، قم أيضاً بضبط خيارات "DOLBY DIGITAL" أو "MPEG" أو "DTS" أو "48kHz/96kHz PCM".

**DOLBY DIGITAL:** لاختيار نوع إشارة Dolby Digital. اضبط هذا الخيار على "خلط تنازلي (D-PCM)" عندما يتم توصيل المشغل بمكّن صوت دون جهاز فك تشفير Digital مدمج.

**MPEG:** لاختيار نوع إشارة صوت MPEG. اضبط هذا الخيار على "MPEG" عندما يتم توصيل المشغل بمكّن صوت مع وجود جهاز فك تشفير MPEG مدمج.

**DTS:** لاختيار نوع إشارة صوت DTS. اضبط هذا الخيار على "تشغيل" عندما تقوم بتشغيل أسطوانات DVD VIDEO التي تحتوي على مسارات صوت DTS. لا تتم ضبط هذا الخيار على "تشغيل" عندما تقوم بتوصيل المشغل بمكّن صوت دون وجود جهاز فك تشفير DTS.

**48kHz/96kHz PCM:** لاختيار تردد العينة لإشارة مخرجات الصوت الرقمي. (فقط DVD VIDEO)

## إعداد HDMI

يمكنك ضبط العناصر المتعلقة باتصال HDMI. **HDMI نقاوة\*3:** لاختيار نوع إشارة مخرجات الفيديو الخارجة من المقبس HDMI OUT. إذا تم اختيار "تلقائي (1920x1080p)" (الإعداد الافتراضي)، يخرج المشغل إشارات الفيديو التي تكون ذات أعلى دقة مقبولة في جهاز التلفاز الخاص بك. إذا كانت الصورة غير واضحة، أو غير طبيعية، أو لا ترضيك بأي شكل آخر، فجرب خياراً آخر يناسب الأسطوانة، أو جهاز التلفاز/العرض أو ما إلى ذلك. للتعرف على المزيد من التفاصيل، ارجع أيضاً إلى دليل التعليمات المرفق مع جهاز التلفاز/العرض، أو ما إلى ذلك. لا يمكنك اختيار هذا الخيار عندما يتم ضبط "نقاوة الصورة JPEG" على "PhotoTV HD".

**نقاوة الصورة JPEG:** لاختيار نوع دقة JPEG بحيث يمكنك الاستمتاع بجودة الصور العالية من خلال اتصال HDMI. يكون هذا الوضع فعالاً فقط عندما تقوم بضبط "نوع التلفزيون" على "16:9". لا يمكنك اختيار هذا الخيار عندما يتم ضبط "HDMI نقاوة" على "720x480/576p".

يكون الخياران (1920x1080i) HD □ و "HD (1920x1080i)" فعالين فقط عندما تقوم بضبط الخيار "HDMI نقاوة" على "1920x1080i". إذا قمت بضبط هذا الإعداد على "PhotoTV HD"، أو "HD (1920x1080i)" أو "HD (1920x1080i)", فإن وظائف التأخير والتدوير والتقريب لا تكون متاحة.

**YCbCr/RGB (HDMI):** لاختيار نوع إشارة مخرجات

HDMI الخارجة من المقبس HDMI OUT.

اضبط هذا الخيار على "RGB" إذا كانت صورة العرض

مشوهة. لا يمكنك اختيار هذا الخيار عندما يتم ضبط "نقاوة

الصورة JPEG" على "PhotoTV HD".

**الخلفية:** لاختيار لون الخلفية أو صورة الخلفية المراد عرضها على شاشة التلفاز. إذا قمت بضبط "صورة محفظة القرص"، على الرغم من أن الأسطوانة لا تحتوي على صورة غلاف، تظهر الصورة "الرسومات".

**متتابع (PROGRESSIVE):** إذا قمت باختيار "تلقائي"، فإن المشغل يكشف التنسيق (القائم على الفيلم أو القائم على الفيديو)، ويؤدي إلى التحويل إلى الإصدار الملائم.

**مشاهدة 4:3:** يكون هذا الوضع فعالاً فقط عندما تقوم بضبط "نوع التلفزيون" على "16:9". اختر "كامل" عندما يمكنك تغيير نسبة الارتفاع إلى العرض على جهاز التلفاز لديك.

## إعداد شخصي

**وضع الاستعداد الآلي:** تشغيل أو إيقاف تشغيل إعداد الانتظار التلقائي. إذا اخترت "تشغيل"، يدخل المشغل إلى وضع الانتظار عندما يتك في وضع التوقف لمدة تزيد على 30 ثانية.

**تشغيل تلقائي:** عندما يتم اختيار "تشغيل" لهذا الخيار، يبدأ المشغل في العرض بشكل تلقائي عندما يتم تشغيل المشغل بواسطة مؤقت (غير مرفق).

**نمط التوقف المؤقت:** لاختيار الصورة بينما يكون النظام في وضع التوقف المؤقت. اختر "تلقائي" بشكل طبيعي. عندما يتم إخراج الصورة بدقة عالية، قم باختيار "إطار". (فقط DVD)

**إختيار المسار:** لإعطاء الأولوية لمسار الصوت الذي يتضمن أعلى عدد قنوات عند تشغيل أسطوانة DVD VIDEO المسجلة بصيغ صوت متعددة (تنسيق PCM أو صوت MPEG أو DTS أو Dolby Digital). في حالة اختيار

"تلقائي"، يتم منح الأولوية. (فقط DVD VIDEO) **جودة الصورة:** لاختيار أولوية العرض على صور عالية الجودة أو السرعة العالية. (ملفات الصور الفوتوغرافية فقط)

**قرص متعدد - متابعة:** لتشغيل أو إيقاف تشغيل إعداد متابعة قرص متعدد. يمكن تخزين عرض الاستئناف في الذاكرة لعدد يصل إلى 6 أسطوانات DVD VIDEO/VIDEO CD. إذا قمت ببدء تشغيل هذا الإعداد مرة أخرى، فسيتم مسح نقطة الاستئناف. (فقط DVD VIDEO/VIDEO CD)

## إعداد الصوت

**وظيفة ضغط الصوت (DRC)\*2:** قم بضبط هذا الخيار حسب البيئة المحيطة. قم بضبط هذا الخيار على "نمط التلفزيون" عندما يتعدّر تمييز أدق الأصوات، أو قم بضبط هذا الخيار على "مجال واسع" عندما تكون بيئة الاستماع جيدة، على سبيل المثال، في مسرح منزلي للأفلام.

**إشارة دولبي\*2:** لتغيير أسلوب الخلط إلى قناتين عندما تقوم بعرض أسطوانة DVD التي تحتوي على عناصر صوت خلفية (قنوات)، أو التي تم تسجيلها بتنسيق Dolby Digital. اختر "دولبي محيطي" بشكل طبيعي.

## توصيل جهاز USB

يمكنك توصيل جهاز USB بمقبس USB الخاص بالمشغل لعرض ملفات الفيديو أو الصور الفوتوغرافية أو الموسيقى.

### إزالة جهاز USB

قم بإيقاف العرض وفصل جهاز USB عن مقبس USB.

### لتغيير رقم الوحدة المنطقية (LUN)

بالنسبة لبعض الأجهزة، يمكن أن يظهر رقم الوحدة المنطقية (LUN). لتغيير رقم الوحدة المنطقية أو التخزين الأصلي، اضغط على **▶•▶** عندما يتم عرض قائمة الألبومات أو المسارات.

### نبذة عن أجهزة USB المدعومة

- هذا المشغل يدعم USB Mass Storage Class فقط.
- هذا المشغل يدعم أجهزة USB الخاصة ذات تنسيق FAT فقط.
- قد لا تعمل بعض أجهزة USB مع هذا المشغل.

## قائمة شخصي

يمكنك تعديل إعدادات متعددة.

اضغط على الزر **DISPLAY** أثناء وجود المشغل في وضع التوقف، واختر **الإعدادات**، ثم اختر "شخصي". يتم عرض قائمة شخصي.

### لائحة القائمة

العنصر اسم العنصر ووظيفته

إعداد اللغة **قائمة**

العرض على الشاشة (العرض على الشاشة): لتغيير لغة العرض على الشاشة.

القائمة\*: لاختيار اللغة المرغوبة لقائمة الأسطوانة. (DVD VIDEO فقط)

الصوت\*: لتغيير اللغة الخاصة بمسار الصوت. عند اختيار "أصلي"، يتم اختيار اللغة التي لها الأولوية في الأسطوانة. (DVD VIDEO فقط)

الترجمة النصية\*: لتغيير لغة الترجمة المسجلة على أسطوانة DVD VIDEO. إذا قمت باختيار "الصوت التابع"، تغيير اللغة الخاصة بالترجمات وفقاً للغة التي قمت باختيارها لمسار الصوت. (DVD VIDEO فقط)

إعداد الشاشة **قائمة**

نوع التلفزيون: لاختيار نسبة الارتفاع إلى العرض للتلفاز الموصل.



16:9



عرض نمط مستطيل 4:3



عرض نمط واسع 4:3

نظام اللون (VIDEO CD): لاختيار نظام الألوان عند تشغيل أسطوانة VIDEO CD. إذا كان جهاز التلفاز الخاص بك مزوداً بالنظام الثنائي DUAL، فقم باختيار "تلقائي". حافظ الشاشة: عند الضغط على وضع "تشغيل"، تظهر شاشة الحماية عندما يكون المشغل في وضع الإيقاف المؤقت أو التوقف لمدة 15 دقيقة. اضغط على الزر **▶** لإيقاف تشغيل شاشة الحماية.

## التاريخ

لعرض التاريخ الذي تم فيه تصوير صورة باستعمال كاميرا رقمية.

## المدة\*

لتحديد الفترة التي يتم فيها عرض الشرائح على الشاشة.

## التأثير\*

لاختيار المؤثرات المراد استعمالها لتغيير الشرائح أثناء عرض الشرائح.

**النمط 1:** يتم إظهار الصور مع المؤثرات بشكل عشوائي.

**النمط 2:** تتحرك الصورة من أعلى اليسار إلى أسفل اليمين.

**النمط 3:** تتحرك الصورة من أعلى لأسفل.

**النمط 4:** تتحرك الصورة من اليسار إلى اليمين.

**النمط 5:** تتمدد الصورة من منتصف الشاشة.

إغلاق: لإيقاف تشغيل هذه الوظيفة.

## وسيلة

لاختيار نوع الوسائط المطلوب عرضه.

**فيديو:** لتشغيل ملفات الفيديو.

**صورة (موسيقى):** لعرض ملفات الصور الفوتوغرافية وملفات

الموسيقى في شكل عرض شرائح. يمكنك مشاهدة عرض

الشرائح مع الصوت عندما يتم وضع ملفات الموسيقى والصور

الفوتوغرافية في نفس الألبوم. إذا كان وقت عرض الموسيقى

أو الصور الفوتوغرافية أطول، يستمر الأطول دون صوت أو

صورة.

**صورة (BGM):** لعرض ملفات الصور الفوتوغرافية مع ظهور

صوت الخلفية الداخلي للمشغل. لاختيار نغمة صوت الخلفية،

اضغط على AUDIO بشكل متكرر أثناء عرض الصورة.

**موسيقى:** لتشغيل ملفات الموسيقى. اضغط على

SUBTITLE أثناء عرض ملفات الموسيقى التي تحتوي

على معلومات موسيقية غير متزامنة. يدعم المشغل ملفات

موسيقى MP3 ID3 فقط.

\* وفقاً للملف، قد لا تعمل هذه الوظيفة.

## لتغيير نظام الألوان

إذا لم تظهر القائمة التي تعرض على الشاشة على التلفاز

الموصل، فقم بتغيير نظام الألوان للمشغل ليتطابق مع نظام

الألوان في التلفاز (NTSC أو PAL).

قم أولاً بإيقاف تشغيل المشغل من خلال الضغط على **||/||**.

ثم اضغط على DISPLAY. وأدخل "0" باستخدام أزرار

الأرقام، ثم اضغط على **||/||** على وحدة التحكم عن بعد.

يتم تشغيل المشغل مرة أخرى، ويظهر اسم نظام الألوان على

شاشة اللوحة الأمامية.

## لعرض أسطوانة VIDEO CD المزودة بوظائف التحكم في عرض الصورة (PBC)

عندما تقوم ببدء عرض أسطوانات VIDEO CD المزودة  
بوظائف التحكم في عرض الصورة (PBC)، تظهر قائمة  
الاختيار الخاص بك.

## للعرض بدون استخدام وظائف التحكم في عرض الصورة (PBC)

اضغط على **||/||** أو أزرار الأرقام أثناء توقف

المشغل عن العمل لاختيار مسار، ثم اضغط على الزر **▶** أو

ENTER. للعودة إلى العرض باستخدام وظائف التحكم في

عرض الصورة (PBC)، اضغط على الزر **■** مرتين، ثم اضغط

على الزر **▶**.

## التحكم في أجهزة التلفاز بواسطة وحدة التحكم عن بعد

يمكنك التحكم في مستوى الصوت، ومصدر المدخلات، ومفتاح

الطاقة في جهاز التلفاز من إنتاج شركة Sony من خلال وحدة

التحكم عن بعد المرفقة.

إذا كان جهاز التلفاز الخاص بك مدرجاً في الجدول الموجود

أدناه، فقم بضبط رمز المصنع المناسب.

عندما تقوم باستبدال البطاريات الخاصة بوحدة التحكم عن

بعد، قم بضبط رقم الرمز مرة أخرى.

**1** أثناء الضغط مع الاستمرار على الزر **||/||** TV، اضغط على

أزرار الأرقام لاختيار رمز مصنع التلفاز الخاص بك.

**2** حرر الزر **||/||** TV.

أرقام رمز أجهزة التلفاز التي يمكن التحكم فيها

(الإعداد الافتراضي)

01 Sony

24 Hitachi

33 JVC

76 LG/Goldstar

49,17 Panasonic

72,08,06 Philips

71 Samsung

29 Sharp

38 Toshiba

## مشاهدة عروض الشرائح عالية الجودة (PhotoTV HD)

إذا كان لديك تلفاز من إنتاج شركة سوني Sony متوافق مع

وظيفة "PhotoTV HD"، يمكن الاستمتاع بالصور ذات

أفضل جودة. يتم تنشيط "PhotoTV HD" عندما يتم

توصيل المشغل بالتلفاز من خلال كابل HDMI وعندما

يتم ضبط "نقاوة الصورة JPEG" في "HDMI إعداد" على

"PhotoTV HD" (صفحة 7).

## الرقابة الأبوية (العرض المحدود)

يمكنك ضبط مستوى قيود للعرض.

1 اختر → "مشغل"، ثم اضغط على ENTER.

قم بإدخال أو إعادة إدخال كلمة المرور المكونة من أربعة أرقام، ثم اضغط على ENTER.

2 اضغط على الزر  $\uparrow/\downarrow$  لاختيار "قياسي"، ثم اضغط على ENTER.

اضغط على الزر  $\uparrow/\downarrow$  لاختيار منطقة، ثم اضغط على ENTER.

عندما تحدد "→ أخرى"، حدد وأدخل رمزًا قياسيًا. ارجع إلى القائمة رموز منطقة الرقابة الأبوية في نهاية هذا الدليل.

3 اضغط على الزر  $\uparrow/\downarrow$  لاختيار "المستوى"، ثم اضغط على ENTER.

اضغط على الزر  $\uparrow/\downarrow$  لاختيار مستوى، ثم اضغط على ENTER.

تتكمّل بذلك عملية إعداد الرقابة الأبوية.

كلما أصبحت القيمة أقل، كلما أصبحت القيود أشد.

لايقاف تشغيل وظيفة الرقابة الأبوية، قم بضبط "المستوى" على "إغلاق".

إذا نسيت كلمة المرور الخاصة بك، فأدخل الرقم "199703" في مربع كلمة المرور، ثم اضغط على ENTER، ثم أدخل كلمة المرور المكونة من أربعة أرقام.

## الإعدادات

سريع: استخدم التهيئة السريعة Quick Setup لاختيار

اللغة المرغوبة للعرض على الشاشة، ونسبة الارتفاع إلى العرض لشاشة التلفزيون وإشارة مخرجات الصوت.

شخصي: بالإضافة إلى إعداد التهيئة السريعة Quick Setup، يمكنك ضبط إعدادات أخرى متعددة مختلفة (صفحة 6).

إعادة التهيئة الكلية: لإعادة الإعدادات الموجودة في "الإعداد" إلى الإعداد الافتراضي.

## تقريب\*

لتكبير الصور حتى أربع مرات من الحجم الأصلي، قم بالتمرير باستخدام  $\leftarrow/\rightarrow/\uparrow/\downarrow$ .

## الزاوية

لتغيير الزاوية.

## مُط الصورة الشخصي

لاختيار جودة الصورة التي تناسب البرنامج الذي تشاهده بأفضل شكل ممكن.

قياسي: عرض صورة قياسية.

ديناميكي: لإنتاج صورة متحركة داكنة من خلال زيادة تباين الصورة وكثافة الألوان.

نرويجية: لتحسين التفاصيل في المناطق الداكنة من خلال زيادة مستوى اللون الأسود.

→ ذاكرة: لضبط الصورة من خلال زيادة التفاصيل.

## حدة الوضوح

زيادة المخطط التفصيلي للصورة لإنتاج صورة أكثر حدة. إغلاق: لإلغاء هذا الخيار.

1 لتحسين المخطط التفصيلي.

2 لتحسين المخطط التفصيلي بشكل أفضل من 1.

## تزامن الصوت والصورة

لضبط التأخير بين الصورة والصوت.

لا تعمل هذه الوظيفة في الحالات التالية:

- عند استخدام المقبس DIGITAL OUT (COAXIAL).

وضبط "DOLBY DIGITAL" أو "MPEG" أو

"DTS" في "إعداد الصوت" على "DOLBY DIGITAL" أو "MPEG" أو "تشغيل" على التوالي (صفحة 7).

- عند توصيل جهاز Dolby Digital أو جهاز متوافق مع

DTS عبر المقبس HDMI OUT وضبط "DOLBY DIGITAL" أو "MPEG" أو "إعداد

الصوت" على "DOLBY DIGITAL" أو "MPEG" أو

"تشغيل" على التوالي (صفحة 7).

1 اختر → "إختيار"، ثم اضغط على ENTER.

يظهر شريط تعديل "تزامن الصوت والصورة".

2 اضغط على → بشكل متكرر لتحديد التأخر.

في كل مرة تقوم فيها بالضبط على  $\leftarrow/\rightarrow$ ، يتم ضبط التأخر بمقدار 10 ميلي ثانية.

3 اضغط على ENTER.

يظهر تأثير الإعداد المحدد.

إعادة تعيين الإعداد "تزامن الصوت والصورة"، اضغط على

CLEAR في الخطوة 2.

\*1 للعودة إلى التشغيل العادي، اختر "إغلاق" أو اضغط على الزر CLEAR.

\*2 يتم إلغاء وضع التشغيل في الحالات التالية:

- فتح درج الأسطوانات.

- إيقاف المشغل.

## ◆ عناصر وملفات DATA

### العنصر اسم العنصر ووظيفته

#### ألبوم

لاختيار الألبوم الذي يحتوي على ملفات الموسيقى والصور الفوتوغرافية المرغوب في عرضها.

#### ملف

لاختيار ملف الصورة الفوتوغرافية المطلوب عرضه.

#### ألبوم

لاختيار الألبوم الذي يحتوي على ملف الفيديو المطلوب عرضه.

#### ملف

لاختيار ملف الفيديو المطلوب عرضه.

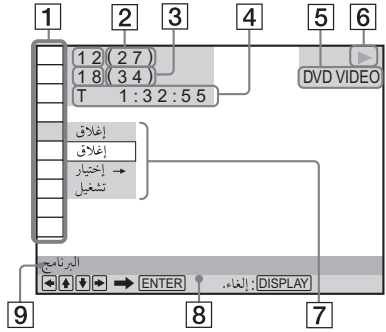
## العرض

### شاشة قائمة التحكم

استخدم قائمة التحكم لاختيار وظيفة ومشاهدة المعلومات المتعلقة بها.

### اضغط على DISPLAY.

لتغير شاشة قائمة التحكم، اضغط على DISPLAY مرة أخرى.



### 1 عناصر قائمة التحكم

2 العنوان الجاري تشغيله حالياً/إجمالي عدد العناوين

3 الفصل الجاري تشغيله حالياً/إجمالي عدد الفصول

4 وقت التشغيل

5 نوع الوسائط المحدد

6 حالة العرض

7 خيارات أيقونة العنصر المحدد/القائمة المحددة

8 رسالة التشغيل

9 عنصر قائمة التحكم المحدد

### لائحة القائمة

العنصر اسم العنصر ووظيفته

العنوان/المشهد/المسار

فصل/الفهرس

المسار

لتحديد العنوان أو المشهد أو المسار أو الفصل أو الفهرس المطلوب تشغيله.

### الوقت/النص

لفحص الزمن المنقضي وزمن العرض المتبقي.  
أدخل رمز الوقت للبحث عن الصور والموسيقى (ملفات فيديو DVD وXvid فقط).

### قرص/USB

اختر "USB" أو "قرص" ليتم تشغيله.

### القائمة الرئيسية/القائمة

(الطراز DVD VIDEO فقط)

القائمة الرئيسية: لعرض القائمة الرئيسية.

القائمة: لعرض القائمة.

### أصلي/قائمة العرض

لاختيار نوع العنوان المطلوب تشغيله (وضع DVD-VR):  
أصلي أو قائمة العرض محررة.

### البرنامج 1\*، 2\*

لاختيار العنوان أو الفصل أو المسار المطلوب تشغيله بالترتيب المرغوب فيه.

1 اختر "→" إختيار"، ثم اضغط على ENTER، واختر العنوان (T) أو الفصل (C) أو المسار (T) الذي ترغب في برمجته، ثم اضغط على ENTER.

2 تكرر اختيار العنوان أو الفصل أو المسار.

3 اضغط على الزر ▶.

### عشوائي 1\*، 2\*

عرض العنوان أو الفصل أو المسار بترتيب عشوائي.

### إعادة 1\*، 2\*

لتشغيل كل العناوين/المسارات/الألبومات أو عنوان/فصل/مسار/ألبوم/ملف بشكل متكرر.

### إعادة A-B 1\*، 2\*

لتحديد الأجزاء التي ترغب في تشغيلها بشكل متكرر.

1 أثناء العرض، اختر "→" إختيار"، ثم اضغط على ENTER. يظهر شريط إعداد "إعادة A-B".

2 عند العثور على نقطة البداية (النقطة A)، اضغط على الزر ENTER.

3 عند الوصول إلى نقطة النهاية (النقطة B)، اضغط على الزر ENTER مرة أخرى.

### الرقابة الأبوية

قم بضبط هذا الخيار لمنع العرض على هذا المشغل.

→ مشغل: يمكن تقييد عرض بعض أسطوانات

DVD VIDEO حسب مستوى محدد مسبقاً كحمر

المستخدمين. قد يتم حجب المشاهد أو استبدالها بمشاهد أخرى (الرقابة الأبوية).

→ كلمة المرور: قم بإدخال كلمة المرور الخاصة بك المكونة من أربعة أرقام مستخدماً أزرار الأرقام. أيضاً استخدم هذه القائمة لتغيير كلمة المرور.

## تحذير

لتفادي خطر نشوب حريق أو حدوث صدمة كهربائية، لا تعرض هذا الجهاز للمطر أو البلل.

لتفادي حدوث صدمات كهربائية، لا تفتح الهيكل. أسند عمليات الصيانة إلى الفنيين المختصين دون سواهم.

يجب ألا يتم تغيير سلك التيار (الرئيسي) إلا لدى محل صيانة مختص.

يجب عدم تعريض البطاريات أو البطاريات المركبة لحرارة شديدة مثل أشعة الشمس أو النار أو ما شابه ذلك.

CLASS 1 LASER PRODUCT  
LASER KLASSE 1  
LUOKAN 1 LASERLAITE  
KLASS 1 LASERAPPARAT

هذا الجهاز مصنف له أنه منتج ليزر من الفئة الأولى. وتوجد العلامة التي توضح أن هذا المنتج منتج ليزر من الفئة الأولى على السطح الخارجي الخلفي.

### تنبيه

استعمال الأجهزة البصرية مع هذا الجهاز يزيد الخطورة على العيون. ونظراً لكون أشعة الليزر المستخدمة في هذا المشغل لأسطوانات CD/DVD ضارة للعيون، لا تحاول تفكيك الهيكل.

اترك أعمال الخدمة للأشخاص المؤهلين فقط.

### احتياطات

- لمنع خطر الحريق والصدمات الكهربائية، لا تضع أشياء مملوءة بالسوائل، مثل أواني الزهور، على الجهاز.
- لا يتم فصل الجهاز عن مصدر التيار الكهربائي المتردد طالما ظل الجهاز موصلاً بمأخذ التيار في الجدار، حتى ولو أوقفت تشغيل الجهاز نفسه.
- لا تترك هذا المشغل في حيز مغلق، مثل رف الكتب أو وحدة مشابهة له.
- قم بتركيب المشغل بحيث يتم فصل سلك التيار المتردد من مأخذ التيار بالحائط في الحال في حالة حدوث خلل.
- إذا تم إحضار الجهاز من مكان بارد إلى مكان دافئ مباشرة، أو تم وضعه في حجرة شديدة الرطوبة فقد تتكثف الرطوبة على العدسات داخل الجهاز. إذا حدث ذلك فقد لا يعمل الجهاز بطريقة صحيحة. في تلك الحالة، انزع الأسطوانة واترك الجهاز في وضع التشغيل لمدة نصف ساعة تقريباً حتى تبخر الرطوبة.

### البرق

لحماية هذا الجهاز بشكل إضافي أثناء نوبات البرق، أو عند تركه بلا عناية أو بلا استخدام لفترات طويلة من الزمن، أفضله من مأخذ التيار الجداري. هذا من أجل تفادي التلف الذي يحصل للجهاز بسبب البرق وتيارات خط القدرة.

### ملاحظة حول الأسطوانات

لا تستخدم الأسطوانات التالية:

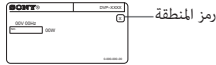
- الأسطوانات التي يكون شكلها غير قياسي (على سبيل المثال، على شكل بطاقة أو على شكل قلب).
- الأسطوانات التي توجد عليها ورقة أو ملصق.

### رمز المنطقة

المشغل الذي لديك له رمز إقليم مطبوع على مؤخرة الوحدة ويستطيع عرض أسطوانات DVD المتوفرة في الأسواق (عرض فقط) التي تكون معلمة برموز الإقليم المعروف بها فقط. يستخدم هذا النظام لحماية حقوق الاستنساخ.

يمكن عرض أسطوانات DVD التجارية التي توجد عليها علامات (R) في هذا المشغل.

وقد يكون عرض بعض أسطوانات DVD مطبوعاً نتيجة لقيود المناطق على الرغم من عدم كتابة أي رمز للمنطقة على اسطوانة DVD وذلك حسب الاسطوانة.



### حقوق الطبع والعلامات التجارية

#### ومعلومات ترخيص البرامج

- مصنعه بتصريح من معامل دولبي.
- "دولبي" و علامة د - زدوجوه علامات تجارية لمعامل دولبي.
- تُعد "DVD Logo" علامة تجارية لشركة DVD Format/Logo Licensing Corporation.
- تقنية تشفير الصوت MPEG Layer-3 وبراءات الاختراع الخاصة بها مرخصة من شركة Thomson و Fraunhofer IIS.
- Media Windows هي إما علامة تجارية مسجلة أو علامة تجارية لشركة Microsoft Corporation في الولايات المتحدة الأمريكية و/أو الدول الأخرى. يحتوي هذا المنتج على تقنية خاضعة لحقوق ملكية فكرية محددة لشركة Microsoft.
- يحظر استخدام هذه التقنية أو توزيعها خارج نطاق هذا المنتج دون الحصول على الترخيص (الترخيص) المناسب من شركة Microsoft.

- تم دمج تقنية السطح البيني للوسط المتعدد ذو التحليل العالي (HDMI™) بمشغل DVD هذا. إن HDMI وشعار HDMI والسطح البيني للوسط المتعدد ذو التحليل العالي هي علامات تجارية أو علامات تجارية مسجلة مملوكة لشركة HDMI Licensing LLC في الولايات المتحدة ودول أخرى.
- تعد كافة العلامات التجارية الأخرى علامات تجارية للمالكين الفعليين.
- إن هذا المنتج مجاز حسب حزمة براءة الاختراع MPEG-4 VISUAL لاجل الاستخدام الشخصي وغير التجاري من قبل المستهلك لاجل فتح الشفرات الفيديوية بالتناغم مع معايير MPEG-4 VISUAL ("MPEG-4 VIDEO") الذي قام بتجفيفه مستهلك في عمل شخصي وليس للاغراض التجارية و/أو تم الحصول عليه من مهجر فيديو مجاز من MPEG LA لتجهيز MPEG-4 VIDEO. لم تمنح إجازة صراحة أو يوحي بها لأي غرض آخر. يمكن الاطلاع على أي معلومات إضافية بضمنها تلك التي تتعلق بمواد الدعاية، والاستخدام الداخلي والتجاري والحصول على الإجازة من MPEG LA، L.L.C. انظر الموقع <http://www.mpegla.com>

### حول هذا الدليل

"DVD" يمكن استعمالها كمصطلح عام يطلق على أسطوانات DVD التجارية، أسطوانات DVD+R DL /DVD+RW /DVD+R (وضع VR+) وأسطوانات DVD-RW/DVD-R/DVD-R DL (وضع VR، وضع الفيديو).



4-400-837-31(1)

Printed in China

<http://www.sony.net/>