

## Personal Audio System

Reference Guide

GB



SRS-X7

©2014 Sony Corporation Printed in China  
http://www.sony.net/

English

Before operating the system, please read this guide thoroughly and retain it for future reference.

### WARNING

To reduce the risk of fire or electric shock, do not expose this apparatus to rain or moisture.

To reduce the risk of fire, do not cover the ventilation opening of the apparatus with newspapers, tablecloths, curtains, etc. Do not place the naked flame sources such as lighted candles on the apparatus.

To reduce the risk of fire or electric shock, do not expose this apparatus to dripping or splashing, and do not place objects filled with liquids, such as vases, on the apparatus.

Do not install the appliance in a confined space, such as a bookcase or built-in cabinet.

Do not expose batteries or apparatus with battery installed to an excessive heat such as sunshine, fire or the like.

As the main plug is used to disconnect the system from the mains, connect the system to an easily accessible AC outlet. Should you notice an abnormality in the system, disconnect the main plug from AC outlet immediately.

The system is not disconnected from the mains as long as it is connected to the AC outlet, even if the system itself has been turned off.

### CAUTION

You are cautioned that any changes or modifications not expressly approved in this manual could void your authority to operate this equipment.

The validity of the CE marking is restricted to only those countries where it is legally enforced, mainly in the countries EEA (European Economic Area).



It should be installed and operated with at least 20 cm and more between the radiator and person's body (excluding extremities: hands, wrists, feet and ankles).



Disposal of Old Electrical & Electronic Equipment (Applicable in the European Union and other European countries with separate collection systems)

### Precautions

#### On safety

The nameplate indicating Sony trademark, model number and electrical rating is located on the bottom exterior of this system. The MAC address is located on the bottom exterior of this system.

- Before operating the system, be sure that the operating voltage of the system is identical with that of your local power supply.

| Where purchased       | Operating voltage             |
|-----------------------|-------------------------------|
| All countries/regions | 120 V – 240 V AC, 50 Hz/60 Hz |

#### Notes on the AC adaptor

- When connecting or disconnecting the AC adaptor, turn off the system beforehand. Otherwise, it may cause malfunction.
- Use only the supplied AC adaptor. To avoid damaging the system, do not use any other AC adaptor.



Polarity of the plug

- Plug the AC adaptor into a nearby wall outlet (mains). In the case of a problem, unplug it from the wall outlet (mains) immediately.
- Do not install the AC adaptor in a confined space, such as a bookcase or built-in cabinet.
- To reduce the risk of fire or electric shock, do not expose the AC adaptor to dripping or splashing, and do not place objects filled with liquids, such as vases, on the AC adaptor.

#### On placement

- Do not set the system in an inclined position.
- Do not leave the system in a location near heat sources, or in a place subject to direct sunlight, excessive dust, moisture, rain or mechanical shock.

#### On operation

- Do not insert any small objects, etc., into the jacks or ventilation hole on the rear of the system. The system may short out or malfunction.

#### On cleaning

- Do not use alcohol, benzene, or thinner to clean the cabinet.

#### Others

- If you have any questions or problems concerning this system that are not covered in this manual, please consult your nearest Sony dealer.
- When disposing of or giving away this system, make sure to initialize it to reset all settings to the factory defaults.

#### On Copyrights

- SONY, Sony Entertainment Network and the logos are trademarks of Sony Corporation.
- Windows, the Windows logo, and Windows Media are either registered trademarks or trademarks of Microsoft Corporation in the United States and/or other countries.
- This product is protected by certain intellectual property rights of Microsoft Corporation. Use or distribution of such technology outside of this product is prohibited without a license from Microsoft or an authorized Microsoft subsidiary.
- Pandora, the Pandora logo, and the Pandora trade dress are trademarks or registered trademarks of Pandora Media, Inc., used with permission.
- Spotify and Spotify logos are trademarks of the Spotify Group.
- Apple, the Apple logo, AirPlay, iPad, iPhone, iPod, iPod nano, iPod touch, iTunes, Mac, and OS X are trademarks of Apple Inc., registered in the U.S. and other countries. App Store is a service mark of Apple Inc.
- "Made for iPod," "Made for iPhone," and "Made for iPad" mean that an electronic accessory has been designed to connect specifically to iPod, iPhone, or iPad, respectively, and has been certified by the developer to meet Apple performance standards. Apple is not responsible for the operation of this device or its compliance with safety and regulatory standards. Please note that the use of this accessory with iPod, iPhone, or iPad may affect wireless performance.
- Macintosh and Mac OS are trademarks of Apple Inc., registered in the U.S. and other countries.
- Wi-Fi is a mark of the Wi-Fi Alliance.
- Wi-Fi Protected Access® and Wi-Fi Alliance® are registered marks of the Wi-Fi Alliance.
- Wi-Fi CERTIFIED™, WPA™, WPA2™ and Wi-Fi Protected Setup™ are marks of the Wi-Fi Alliance.
- DLNA™, the DLNA Logo and DLNA CERTIFIED™ are trademarks, service marks, or certification marks of the Digital Living Network Alliance.
- © 2013 CSR plc and its group companies. The aptX® mark and the aptX logo are trade marks of CSR plc or one of its group companies and may be registered in one or more jurisdictions.
- "S-Master" is a trademark of Sony Corporation.
- ClearAudio+ and ClearAudio+ are trademarks of Sony Corporation.
- "DSEE" and DSEE are trademarks of Sony Corporation.
- MPEG Layer-3 audio coding technology and patents licensed from Fraunhofer IIS and Thomson.
- The BLUETOOTH® word mark and logos are owned by the Bluetooth SIG, Inc. and any use of such marks by Sony Corporation is under license. Other trademarks and trade names are those of their respective owners.
- The N-Mark is a trademark or registered trademark of NFC Forum, Inc. in the United States and in other countries.
- Google Play and Android are trademarks of Google Inc.
- "Xperia" and "Xperia Tablet" are trademarks of Sony Mobile Communications AB.
- WALKMAN® and WALKMAN® logo are registered trademarks of Sony Corporation.
- The system names and product names indicated in this manual are generally the trademarks or registered trademarks of the manufacturer.
- ™ and ® marks are omitted in this manual.

### What is BLUETOOTH wireless technology?

BLUETOOTH wireless technology is a short-range wireless technology that enables wireless data communication between digital devices, such as a computer and digital camera. BLUETOOTH wireless technology operates within a range of about 10 m. Connecting two devices as necessary is common, but some devices can be connected to multiple devices at the same time. You do not need to use a cable for connection, nor is it necessary for the devices to face one another, such as the case with infrared technology. For example, you can use such a device in a bag or pocket.

BLUETOOTH standard is an international standard supported by thousands of companies all over the world, and employed by various companies worldwide.

#### Maximum communication range

Maximum communication range may shorten under the following conditions.

- There is an obstacle such as a person, metal, or wall between the system and BLUETOOTH device.
- A wireless LAN device is in use near the system.
- A microwave oven is in use near the system.
- A device that generates electromagnetic radiation is in use near the system.

#### Interference from other devices

Because BLUETOOTH devices and wireless LAN (IEEE802.11b/g) use the same frequency, microwave interference may occur and resulting in communication speed deterioration, noise, or invalid connection if the system is used near a wireless LAN device. In such a case, perform the following.

- Use the system at least 10 m away from the wireless LAN device.
- If the system is used within 10 m of a wireless LAN device, turn off the wireless LAN device.

#### Interference to other devices

Microwaves emitting from a BLUETOOTH device may affect the operation of electronic medical devices. Turn off the system and other BLUETOOTH devices in the following locations, as it may cause an accident.

- where inflammable gas is present, in a hospital, train, airplane, or a gas station
- near automatic doors or a fire alarm

#### Notes

- To be able to use the BLUETOOTH function, the BLUETOOTH device to be connected requires the same profile as the system's. Note also that even if the same profile exists, devices may vary in function depending on their specifications.
- Due to the characteristic of BLUETOOTH wireless technology, the sound played on the system is slightly delayed from the sound played on the BLUETOOTH device during talking on the telephone or listening to the music.
- This system supports security capabilities that comply with the BLUETOOTH standard to provide a secure connection when the BLUETOOTH wireless technology is used, but security may not be enough depending on the setting. Be careful when communicating using BLUETOOTH wireless technology.
- We do not take any responsibility for the leakage of information during BLUETOOTH communication.
- A device featuring the BLUETOOTH function is required to conform to the BLUETOOTH standard specified by Bluetooth SIG, and be authenticated. Even if the connected device conforms to the above mentioned BLUETOOTH standard, some devices may not be connected or work correctly, depending on the features or specifications of the device.
- Noise or sound skips may occur depending on the BLUETOOTH device connected with the system, the communication environment or the usage environment.

### Specifications

#### Section for Speaker

##### Speakers

Full range speaker: Approx. 46 mm diameter × 2 / Subwoofer: Approx. 62 mm diameter × 1

#### Section for Amplifier

##### POWER OUTPUT AND TOTAL HARMONIC DISTORTION:

##### Power Output (reference)

Using AC adaptor  
Full range speaker: 8 W+8 W (at 1% harmonic distortion, 1 kHz, 8 Ω)  
Subwoofer: 16 W (at 1% harmonic distortion, 100 Hz, 4 Ω)

##### Using battery

Full range speaker: 3 W+3 W (at 1% harmonic distortion, 1 kHz, 8 Ω)  
Subwoofer: 6 W (at 1% harmonic distortion, 100 Hz, 4 Ω)

#### Section for Network

##### Compatible standards

IEEE 802.11 b/g (WEP 64 bit, WEP 128 bit, WPA/WPA2-PSK (AES), WPA/WPA2-PSK (TKIP))

##### Radio frequency

2.412 GHz – 2.472 GHz (2.4 GHz ISM Band, 13 Channels) / Channel 1 – Channel 13

#### Section for BLUETOOTH

##### Output

BLUETOOTH Specification Power Class 2

##### Maximum communication range

Line of sight Approx. 10 m\*

##### Radio frequency

2.4 GHz band (2.4000 GHz – 2.4835 GHz)

##### Communication System

BLUETOOTH Specification Version 3.0

##### Compatible BLUETOOTH Profiles\*2

A2DP (Advanced Audio Distribution Profile) / AVRCP (Audio Video Remote Control Profile)

##### Supported codec\*3

SBC (Subband Codec)\*4 / AAC\*5 / aptX

##### Transmission bandwidth (A2DP)

20 Hz – 20,000 Hz (with 44.1 kHz sampling)

\*1 The actual range will vary depending on factors such as obstacles between devices, magnetic fields around a microwave oven, static electricity, reception sensitivity, aerial's performance, operating system, software application, etc.

\*2 BLUETOOTH standard profiles indicate the purpose of BLUETOOTH communication between devices.

\*3 Codec: Audio signal compression and conversion format

\*4 Subband Codec

\*5 Advanced Audio Coding

#### General

##### AUDIO IN

ANALOG Φ 3.5 mm stereo mini jack

##### Network port

10BASE-T/100BASE-TX (Auto Polarity)

##### DC OUT

USB jack Type A (for charging the battery of a connected device) (5 V, Max. 1.5 A: labeled on bottom of system)

##### Power

DC 18 V (using the supplied AC adaptor connected to AC 120 V-240 V, 50 Hz/60 Hz power supply) or, using built in lithium-ion battery

##### Usage life of lithium-ion battery (when the NETWORK OFF/ ON switch is OFF)

Approx. 6 hours

##### Usage life of lithium-ion battery (when the NETWORK OFF/ ON switch is ON)

Approx. 3 hours

##### Operating temperature

5 °C to 35 °C

##### Dimensions (w/h/d) (including projecting parts and controls)

Approx. 300 mm × 132 mm × 60 mm

##### Mass

Approx. 1.9 kg

#### Supplied accessories:

AC power cord (1) / AC adaptor (AC-E1826) (1) / Start Guide "Enjoy Music over Your Wi-Fi Network" / Reference Guide (this document) / Warranty card

Design and specifications are subject to change without notice.

#### Compatible iPhone/iPad/iPod models

| Compatible model               | AirPlay | BLUETOOTH |
|--------------------------------|---------|-----------|
| iPhone 5s                      | ✓       | ✓         |
| iPhone 5c                      | ✓       | ✓         |
| iPhone 5                       | ✓       | ✓         |
| iPhone 4s                      | ✓       | ✓         |
| iPhone 4                       | ✓       | ✓         |
| iPhone 3GS                     | ✓       | ✓         |
| iPad Air*                      | ✓       | ✓         |
| iPad mini with Retina display* | ✓       | ✓         |
| iPad (4th generation)*         | ✓       | ✓         |
| iPad mini*                     | ✓       | ✓         |
| iPad (3rd generation)*         | ✓       | ✓         |
| iPad 2*                        | ✓       | ✓         |
| iPad*                          | ✓       | ✓         |
| iPod touch (5th generation)    | ✓       | ✓         |
| iPod touch (4th generation)    | ✓       | ✓         |
| iPod touch (3rd generation)*   | ✓       | ✓         |
| iPod nano (7th generation)*    |         | ✓         |

as of January, 2014

\* The "SongPal" application does not support iPod touch (3rd generation) or iPod nano. The "SongPal" application does not support iPad (as of January, 2014).

AirPlay works with iPhone, iPad, and iPod touch with iOS 4.3.3 or later, Mac with OS X Mountain Lion, and Mac and PC with iTunes 10.2.2 or later.

#### Note

Sony cannot accept responsibility in the event that data recorded to iPhone/iPad/iPod is lost or damaged when using an iPhone/iPad/iPod connected to this system.

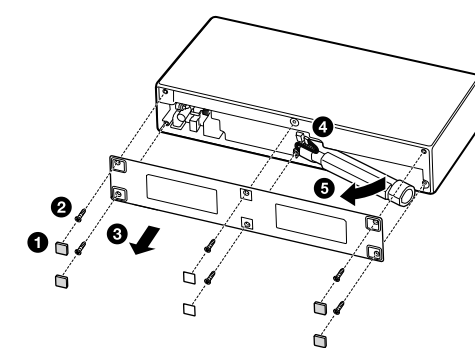
### Disposing of the System

For environment protection, remove the built-in lithium-ion battery pack from the system.

Before removing the battery, drain the battery by removing the AC adaptor and using the system only with the battery.

**Take out the lithium-ion battery for recycling. Do not open the cabinet other than when disposing of the system.**

- Turn off the system and remove the AC adaptor.
- Detach the cover of the rear of the system to remove the battery pack.
  - Remove the 6 rubber covers from the bottom of the system.
  - Remove the 6 screws.
  - Remove the cover.
  - Remove the connector plug from the system.
  - Remove the battery.



#### Note

- Be careful not to damage the cord cover with metallic tweezers, etc. when you remove the battery pack from the system.