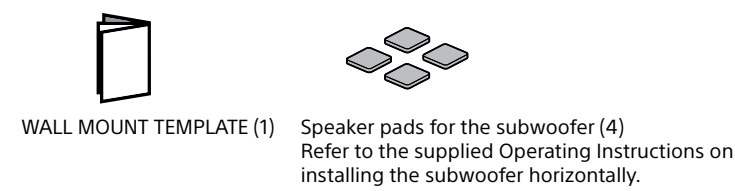
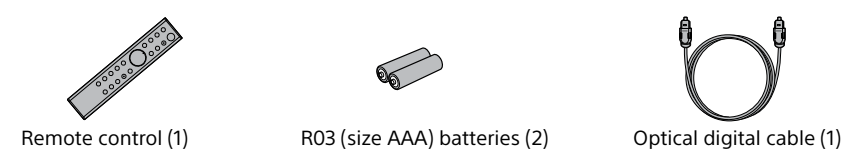




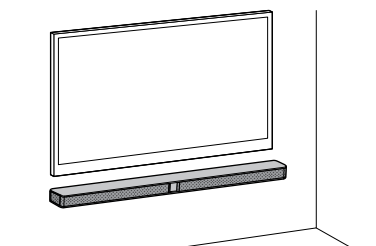
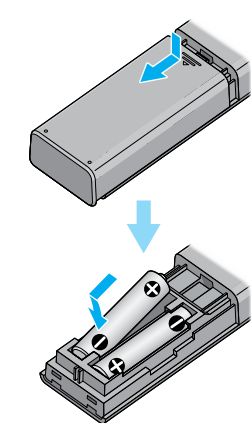
Sound Bar  
Startup Guide

HT-CT290/HT-CT291

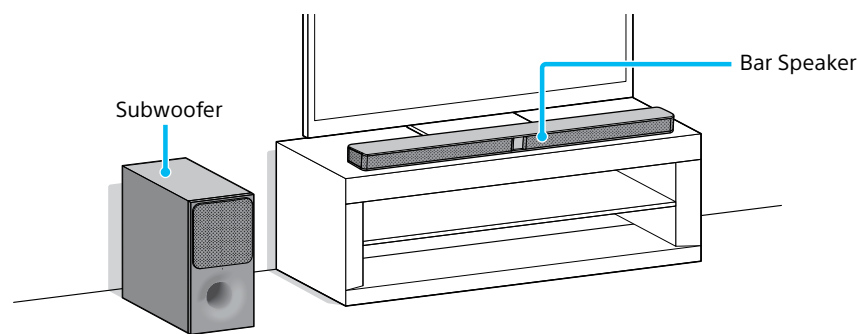
Supplied accessories



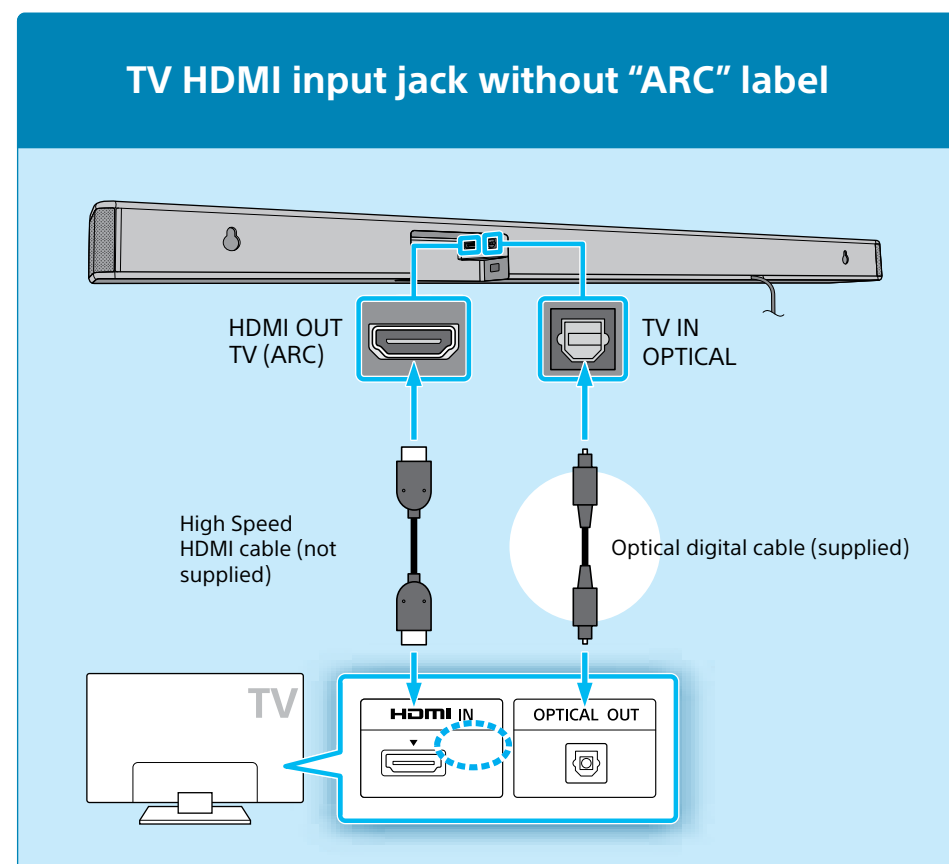
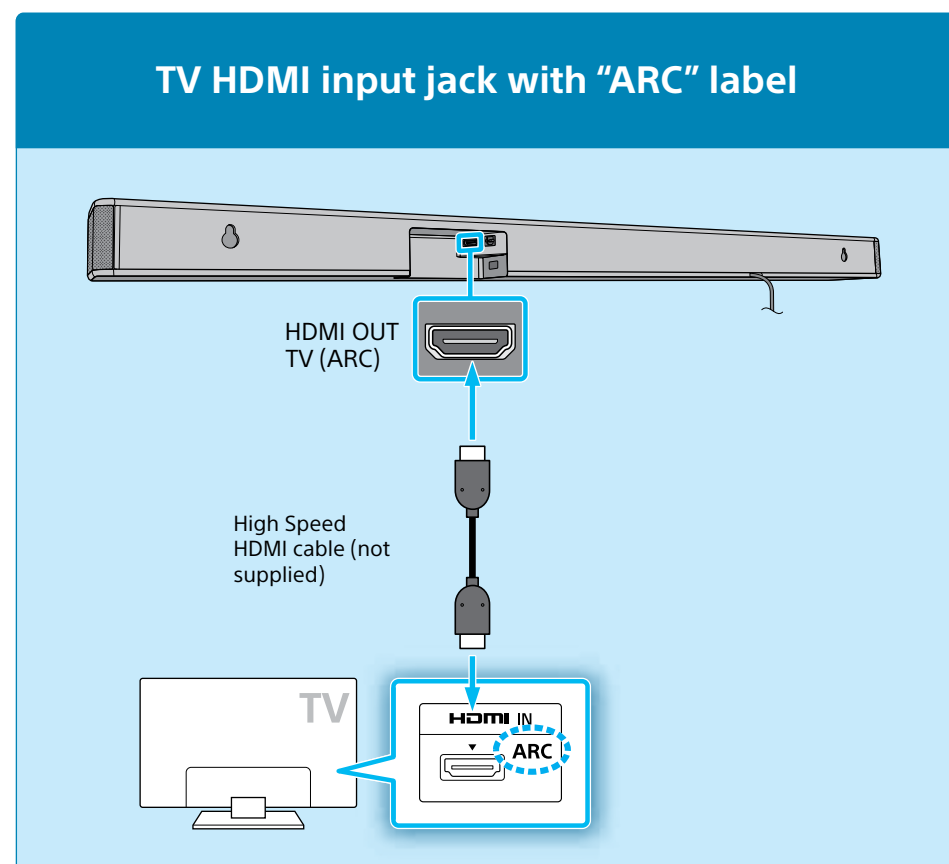
To insert batteries



To mount the Bar Speaker on a wall  
Refer to the supplied Operating Instructions.



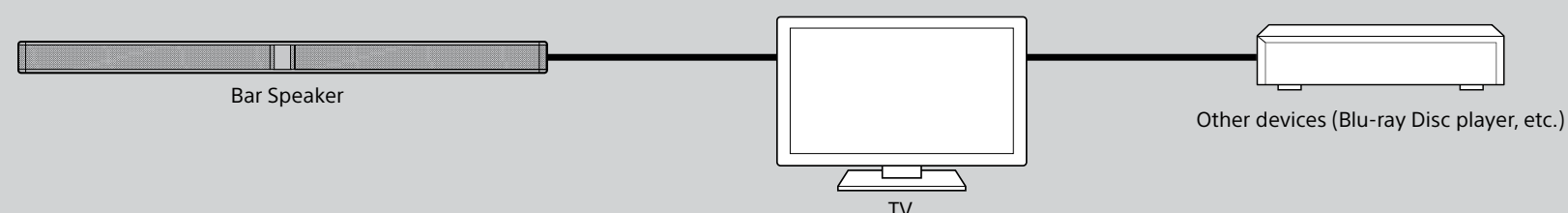
1 Connecting with a TV



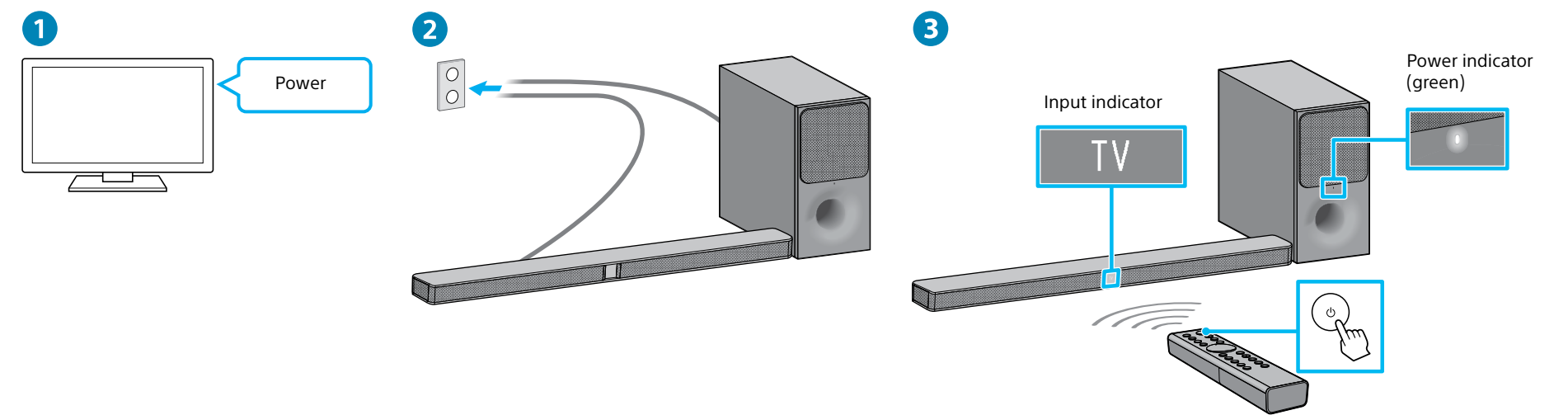
- Note**
- Make sure that the HDMI cable is firmly inserted.
  - To view the USB content list on the TV screen, make sure you connect the system to the TV using HDMI cable.

Connecting other devices with the TV (optional)

Sound from other devices can be output to the system through the TV.  
To connect other devices with your TV, refer to the operating instructions of your TV.



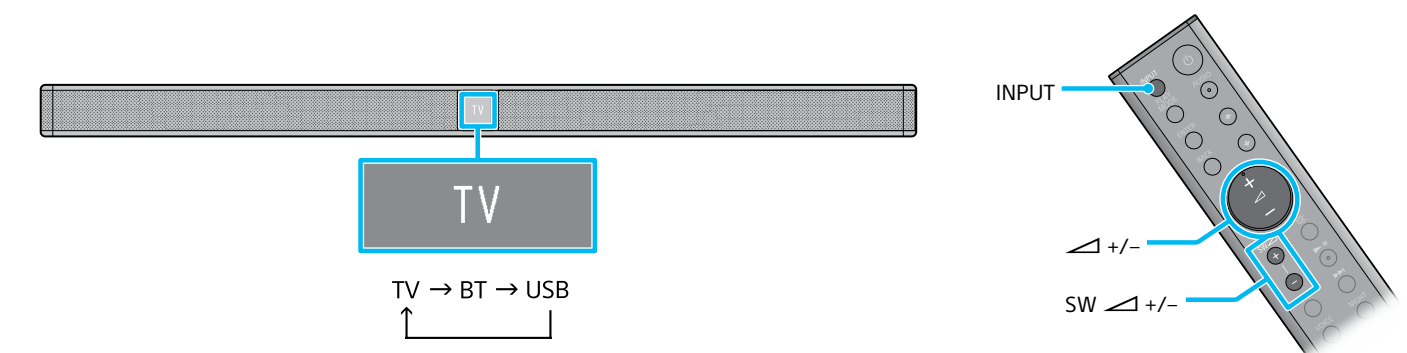
2 Turning on the system



- 1 Turn on the TV.
- 2 Connect the AC power cords (mains lead).
- 3 Press (power).  
The input indicator lights up.  
Confirm that the power indicator of the subwoofer lights up in green.  
If not, refer to "Subwoofer wireless sound" or "Troubleshooting" in the supplied Operating Instructions.

**Note**  
To prevent interference when you use multiple wireless products, connect the subwoofer to the Bar Speaker using Secure Link function. For details, refer to the supplied Operating Instructions.

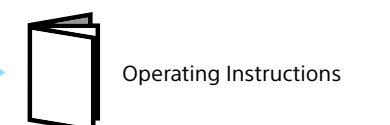
3 Listening to the sound



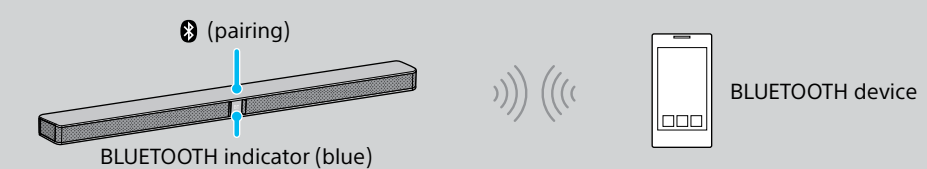
Press INPUT repeatedly until the input indicator for the device you want lights up. Then, press +/- repeatedly to adjust the volume of the system and press SW +/- repeatedly to adjust the subwoofer volume.  
To listen to TV audio, select the program you want using the TV remote control.

Setup completed! Enjoy!

Please refer to the supplied Operating Instructions about the sound effects, and other functions.



Listening to music from a BLUETOOTH device (Pairing and connecting)



- 1 Place the BLUETOOTH device within 1 meter from the Bar Speaker.
- 2 Press (pairing).  
BLUETOOTH indicator (blue) flashes quickly ( ).
- 3 Turn on BLUETOOTH function and select "HT-CT290/291" on the BLUETOOTH device.
- 4 When the BLUETOOTH connection is established, the BLUETOOTH indicator (blue) lights up ( ).
- 5 Start playback on the BLUETOOTH device.
- 6 Adjust the volume.

Refer to the supplied Operating Instructions for details on other BLUETOOTH settings.